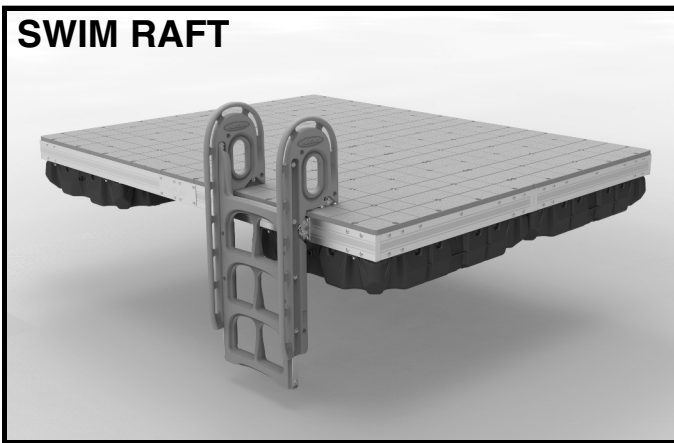




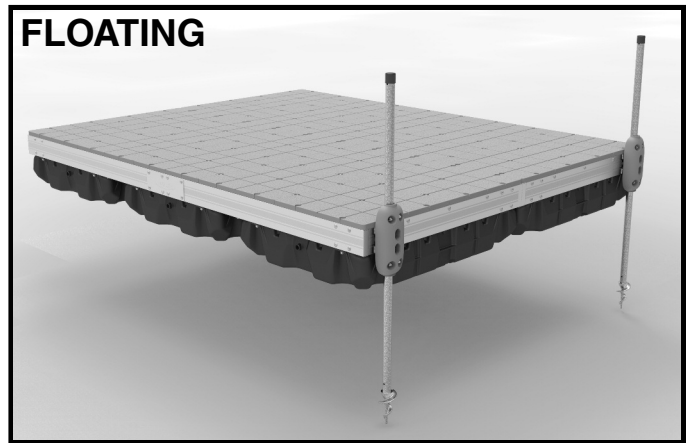
Aluminum

8' x 10' Assembly Instructions Using (2) 4' x 10' Frame Kits

SWIM RAFT

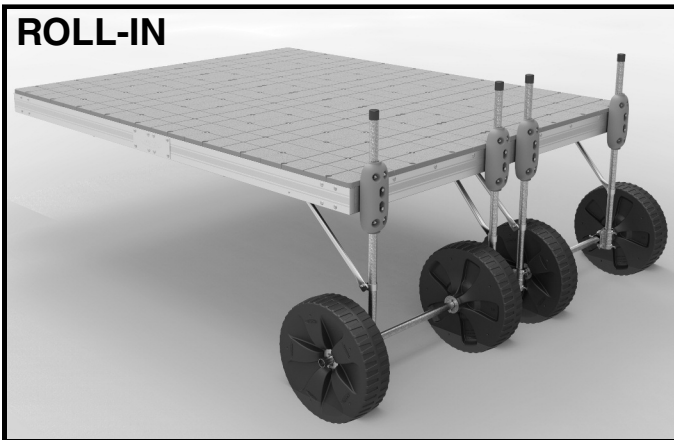


FLOATING

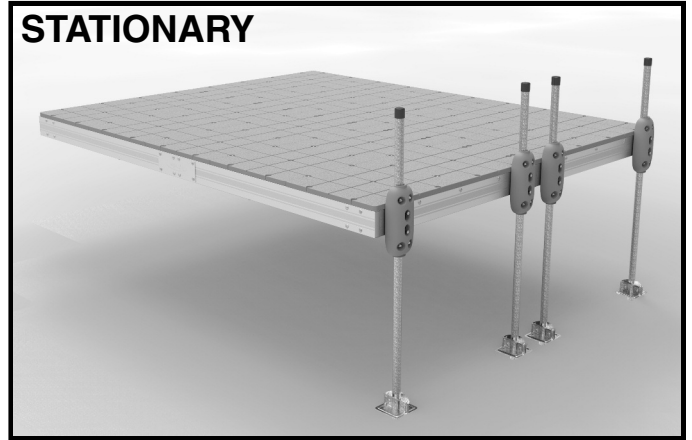


SHOWN WITH
RESIN TOP

ROLL-IN



STATIONARY



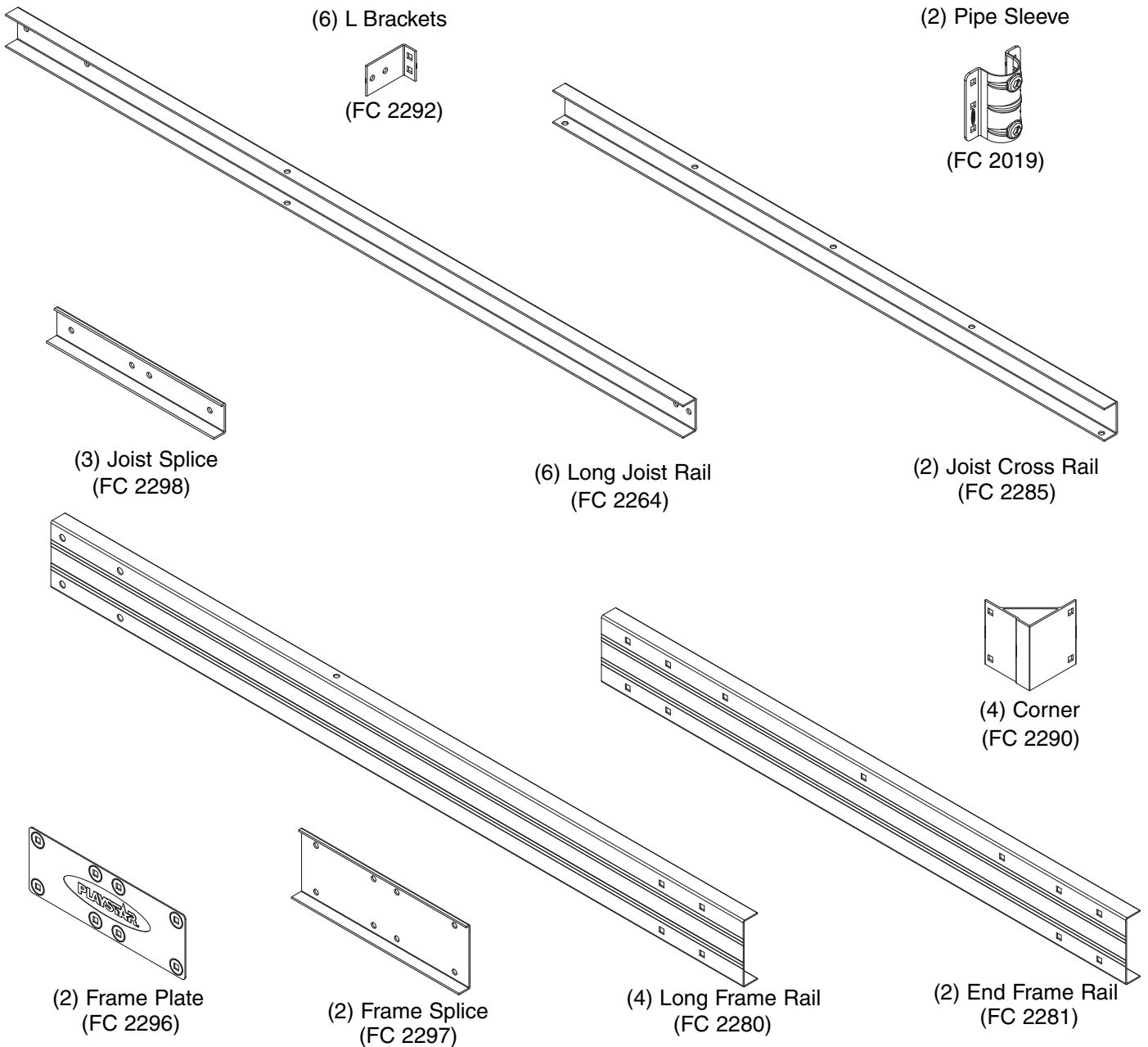
We're Here To Help!

Call Toll Free **1-888-752-9782**
Customer Service: Monday - Friday, 8:00 A.M. to 5:00 P.M. C.S.T.

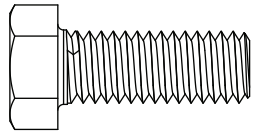
TABLE OF CONTENTS

Frame Assembly4
Floating (to attach to an existing PlayStar Dock)11
Swim Raft15
Stationary (to attach to an existing PlayStar Dock)18
Roll-In (to attach to an existing PlayStar Dock)20
Wood Dock Top Assembly24
Resin Dock Top Assembly26

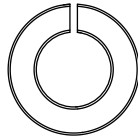
ALUMINUM FRAME KIT CONTENTS - PS 1505



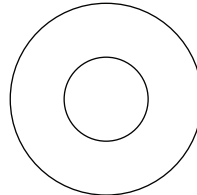
ALUMINUM FRAME KIT HARDWARE CONTENTS



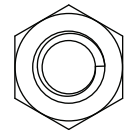
(38) 3/8" x 1" hex bolts



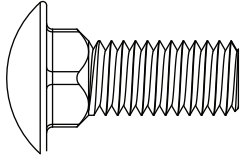
(104) 3/8" split lock washers



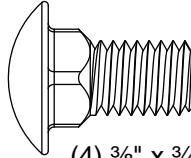
(150) 3/8" washers



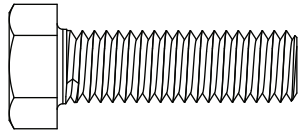
(116) 3/8" nuts



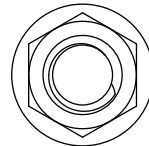
(54) 3/8" x 1" carriage bolts



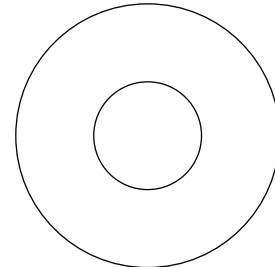
(4) 3/8" x 3/4" carriage bolts



(12) 3/8" x 1 1/4" hex bolts



(4) 3/8" flange nuts



(8) 1/2" washers

TOOLS REQUIRED

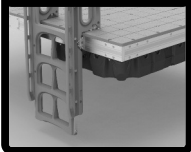
Safety Glasses
Measuring Tape
Pencil

Carpenter's Square
3/8" and 9/16" Socket and Wrench
3/8" and 9/16" Combination Wrench

Drill
1/8" and 3/8" Drill Bits
#2 Phillips Screwdriver

BILL OF MATERIALS (PURCHASE SEPARATELY)

Swim Raft



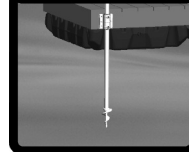
Support Components:

- (4) Dock Floats PS 1155
- (1) Mooring Ring PS 1195
- (1) Adjustable Dock Ladder PS 1605
- (1) Rope & Anchor (See pg. 17)

Dock Top:

- *(2) Resin Dock Top PS 1320

Floating



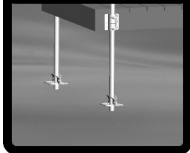
Support Components:

- (6) Dock Floats PS 1155
- (2) CG Pipe Sleeve PS 1080
- (2) Auger PS 1100
- (1) Pipe Safety Caps PS 1193
- (2) Hinge Kits PS 1070
- (2) Dock Pipe (1 5/8" or 1 7/8")

Dock Top:

- *(2) Resin Dock Top PS 1320

Stationary



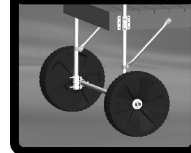
Support Components:

- (4) Foot Plates PS 1023
- (1) Pipe Safety Caps PS 1193
- (6) Connector Clips PS 1021
- (4) Dock Pipes (1 5/8" or 1 7/8")

Dock Top:

- *(2) Resin Dock Top PS 1320

Roll-In



Support Components:

- (2) Roll-In Axle Kit PS 1198
- (4) Wheels PS 1334
- (1) Pipe Safety Caps PS 1193
- (6) Connector Clips PS 1021
- (6) Dock Pipes (1 5/8" or 1 7/8")

Dock Top:

- *(2) Resin Dock Top PS 1320

NOTE: *(21) 5/4" x 6" x 8' Decking can be Substituted for Resin Dock Top (see page 24)

**FOLLOW THESE INSTRUCTIONS
TO BUILD YOUR 8' X 10' ALUMINUM SWIM RAFT.**

**Remove all contents from the
Aluminum Dock Frame Kits (PS 1505)
and organize by part.**

Note: Not all components will be used.

Before beginning assembly, review entire Instruction Manual.

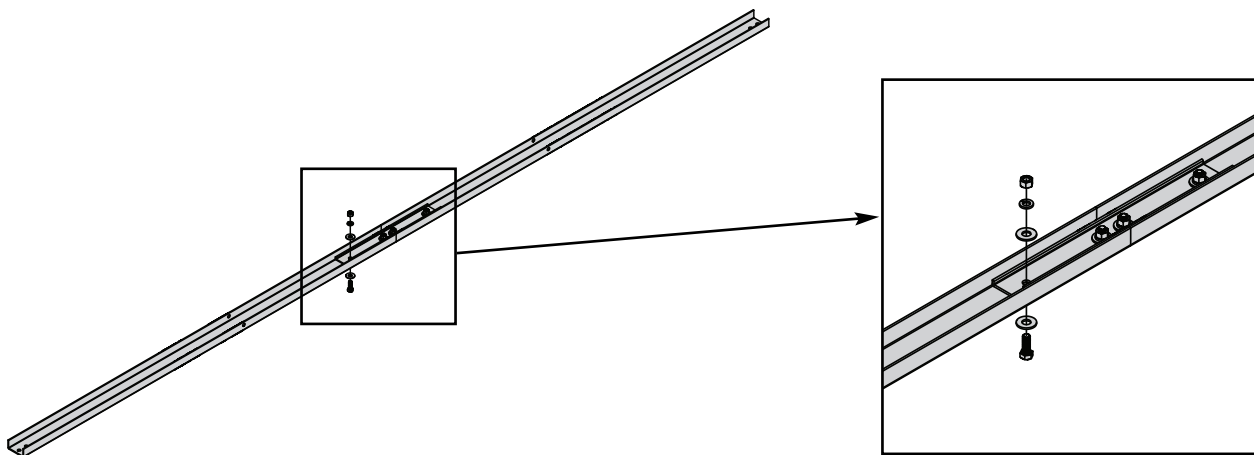
FRAME ASSEMBLY

Items for STEP 1:

- (12) Long Joist Rails
- (6) Joist Splices
- (24) $\frac{3}{8}$ " x 1" hex bolts
- (48) $\frac{3}{8}$ " flat washers
- (24) $\frac{3}{8}$ " lock washers
- (24) $\frac{3}{8}$ " nuts

On a flat surface, position two long joist rails and one joist splice as shown. Secure with $\frac{3}{8}$ " x 1" hex bolts, $\frac{3}{8}$ " flat washers, $\frac{3}{8}$ " lock washers and $\frac{3}{8}$ " nuts.

Repeat for all six joist assemblies.

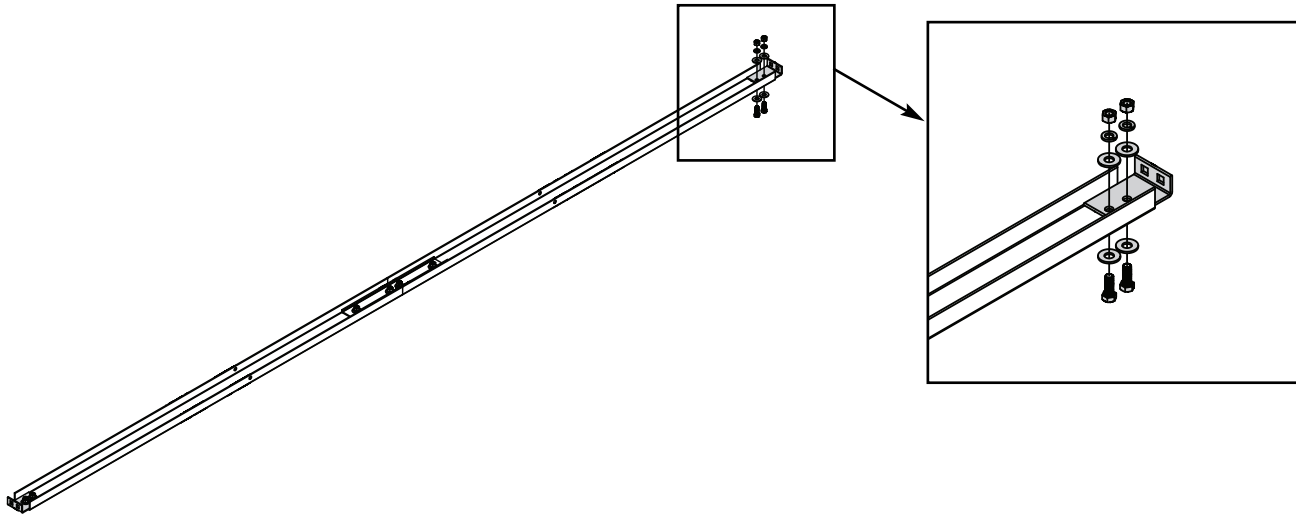


Items for STEP 2:

- (12) L Brackets
- (24) $\frac{3}{8}$ " x 1" hex bolts
- (48) $\frac{3}{8}$ " flat washers
- (24) $\frac{3}{8}$ " lock washers
- (24) $\frac{3}{8}$ " nuts

Position two L brackets at both ends of the joist assembly as shown. Secure with $\frac{3}{8}$ " x 1" hex bolts, $\frac{3}{8}$ " flat washers, $\frac{3}{8}$ " lock washers and $\frac{3}{8}$ " nuts.

Repeat for all six joist assemblies.

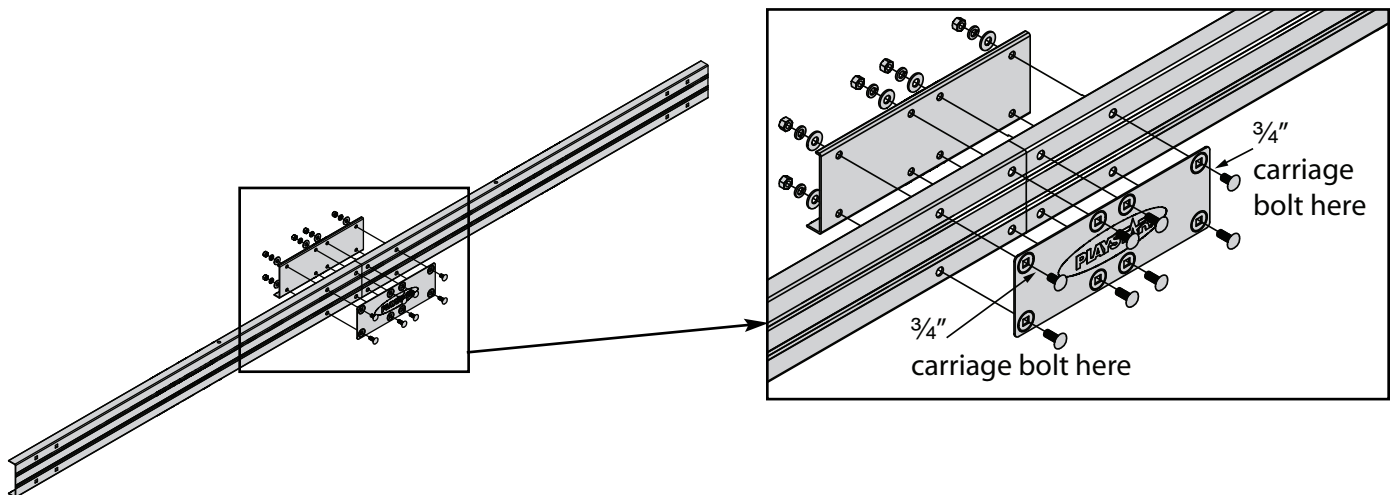


Items for STEP 3:

- (4) Long Frame Rails
- (2) Frame Splices
- (2) Frame Plate
- (4) $\frac{3}{8}$ " x $\frac{3}{4}$ " carriage bolts
- (12) $\frac{3}{8}$ " x 1" carriage bolts
- (16) $\frac{3}{8}$ " flat washers
- (16) $\frac{3}{8}$ " lock washers
- (16) $\frac{3}{8}$ " nuts

On a flat surface, position two long frame rails, one frame splice and one frame plate as shown. Secure with two $\frac{3}{8}$ " x $\frac{3}{4}$ " carriage bolts, six $\frac{3}{8}$ " x 1" carriage bolts, $\frac{3}{8}$ " flat washers, $\frac{3}{8}$ " lock washers and $\frac{3}{8}$ " nuts.

Repeat for second 10' frame assemblies.



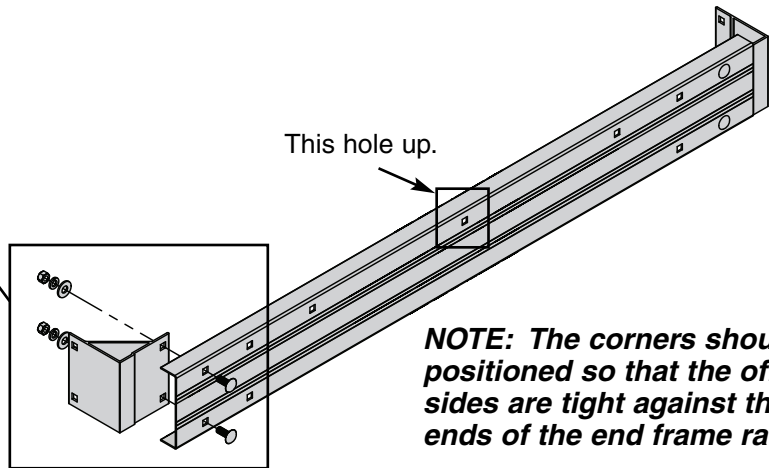
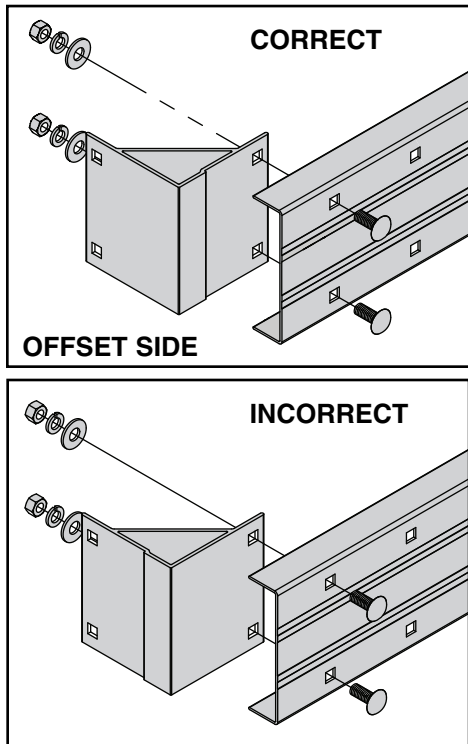
Items for STEP 4:

- (4) End Frame Rails
- (8) Corners
- (16) 3/8" x 1" carriage bolts
- (16) 3/8" flat washers
- (16) 3/8" lock washers
- (16) 3/8" nuts

Position two corners and one end frame rail as shown.

Secure corners with 3/8" x 1" carriage bolts, 3/8" flat washers, 3/8" lock washers and 3/8" nuts.

Repeat for all four 4' end frame assemblies.



NOTE: The corners should be positioned so that the offset sides are tight against the ends of the end frame rail.

Helpful Hint: The carriage bolts are designed to fit tightly into the square holes. Properly align them when tightening.

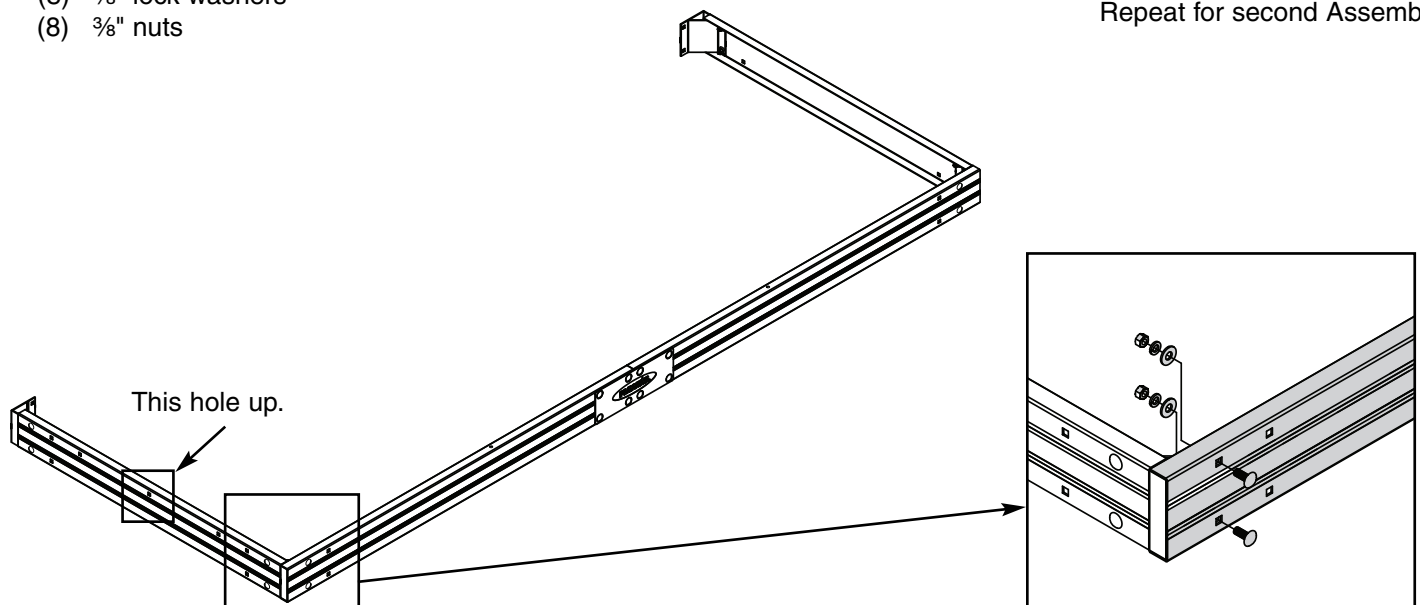
Items for STEP 5:

- (4) 4' End Frame Assemblies
- (2) 10' Frame Assemblies
- (8) 3/8" x 1" carriage bolts
- (8) 3/8" flat washers
- (8) 3/8" lock washers
- (8) 3/8" nuts

On a flat surface, position two 4' end frame assemblies and one 10' frame assemblies as shown.

Secure with 3/8" x 1" carriage bolts, 3/8" flat washers, 3/8" lock washers and 3/8" nuts. **Finger tighten only.**

Repeat for second Assembly.



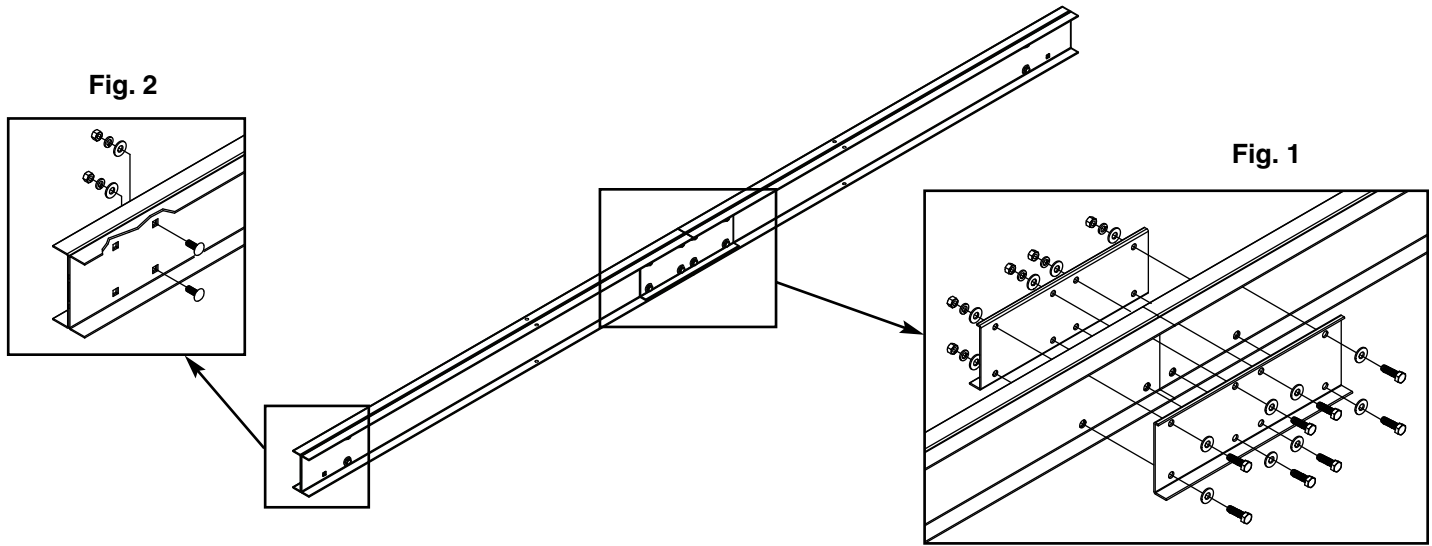
Items for STEP 6:

- (4) Long Frame Rails
- (2) Frame Splices
- (4) $\frac{3}{8}$ " x 1" carriage bolts
- (8) $\frac{3}{8}$ " x $1\frac{1}{4}$ " hex bolts
- (20) $\frac{3}{8}$ " flat washers
- (12) $\frac{3}{8}$ " lock washers
- (12) $\frac{3}{8}$ " nuts

On a flat surface, position four long frame rails and two frame splices as shown. Secure the frame splices at the center with $\frac{3}{8}$ " x $1\frac{1}{4}$ " hex bolts, $\frac{3}{8}$ " flat washers, $\frac{3}{8}$ " lock washers and $\frac{3}{8}$ " nuts. **Fig. 1**

Secure the four inner most square holes at the ends with $\frac{3}{8}$ " x 1" carriage bolts, $\frac{3}{8}$ " flat washers, $\frac{3}{8}$ " lock washers and $\frac{3}{8}$ " nuts as shown. **Fig. 2**

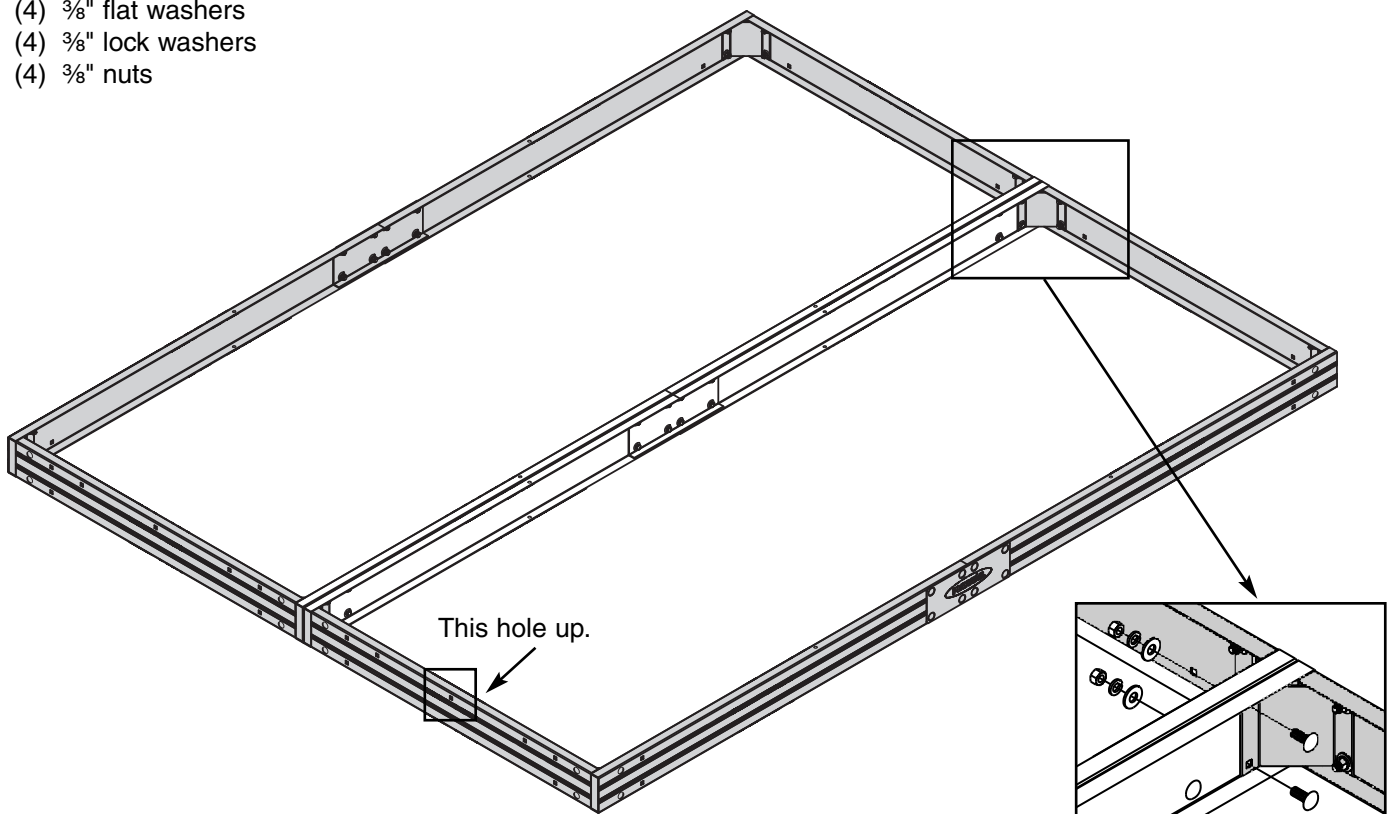
NOTE: The four outermost square holes will be used in the next step



Items for STEP 7:

- (2) Step 5 Assemblies
- (1) Step 6 Assembly
- (4) $\frac{3}{8}$ " x 1" carriage bolts
- (4) $\frac{3}{8}$ " flat washers
- (4) $\frac{3}{8}$ " lock washers
- (4) $\frac{3}{8}$ " nuts

On a flat surface, position two Step 5 assemblies and one Step 6 assembly to form an 8' x 10' configuration as shown. Secure assembly at the four outermost square holes with $\frac{3}{8}$ " x 1" carriage bolts, $\frac{3}{8}$ " flat washers, $\frac{3}{8}$ " lock washers and $\frac{3}{8}$ " nuts.

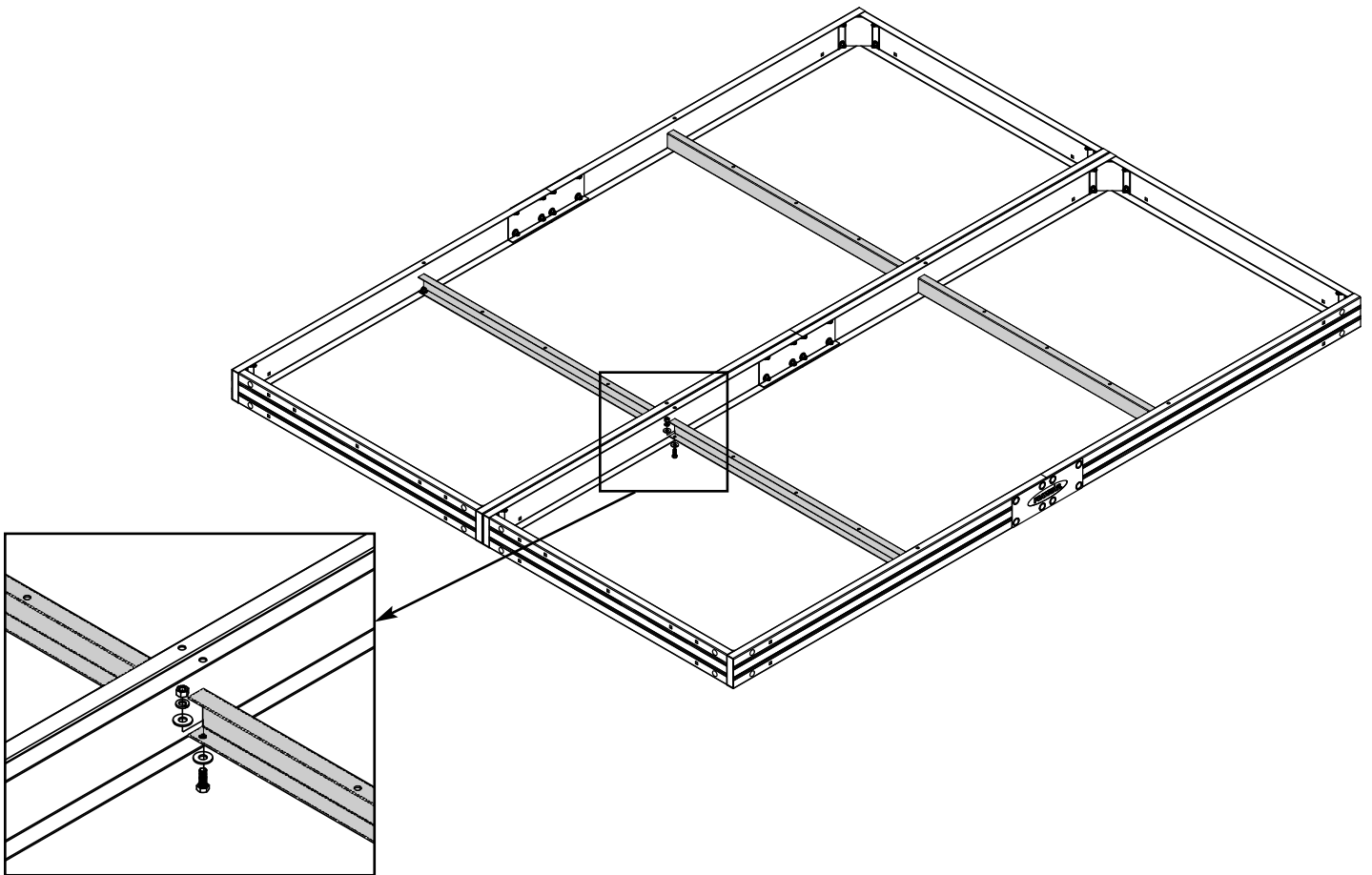


Items for STEP 8:

- (4) Joist Cross Rails
- (8) $\frac{3}{8}$ " x 1" hex bolts
- (16) $\frac{3}{8}$ " flat washers
- (8) $\frac{3}{8}$ " lock washers
- (8) $\frac{3}{8}$ " nuts

On a flat surface, position four joist cross rails inside the 8' x 10' frame as shown. Secure with $\frac{3}{8}$ " x 1" hex bolts, $\frac{3}{8}$ " flat washers, $\frac{3}{8}$ " lock washers and $\frac{3}{8}$ " nuts.

Finger tighten only.



Items for **STEP 9:**

- (6) Joist Assemblies
- (12) $\frac{3}{8}$ " x 1" carriage bolts
- (12) $\frac{3}{8}$ " x 1" hex bolts
- (36) $\frac{3}{8}$ " flat washers
- (24) $\frac{3}{8}$ " lock washers
- (24) $\frac{3}{8}$ " nuts

On a flat surface, position six joist assemblies inside the 8' x 10' frame as shown. Secure with $\frac{3}{8}$ " x 1" carriage bolts, $\frac{3}{8}$ " flat washers, $\frac{3}{8}$ " lock washers and $\frac{3}{8}$ " nuts where the L brackets meet the end frame rails. (Figure 1)

Finger tighten only.

Secure with $\frac{3}{8}$ " x 1" hex bolts, $\frac{3}{8}$ " flat washers, $\frac{3}{8}$ " lock washers and $\frac{3}{8}$ " nuts where the long joist rails intersect with the joist cross rails. (Figure 2)

Finger tighten only.

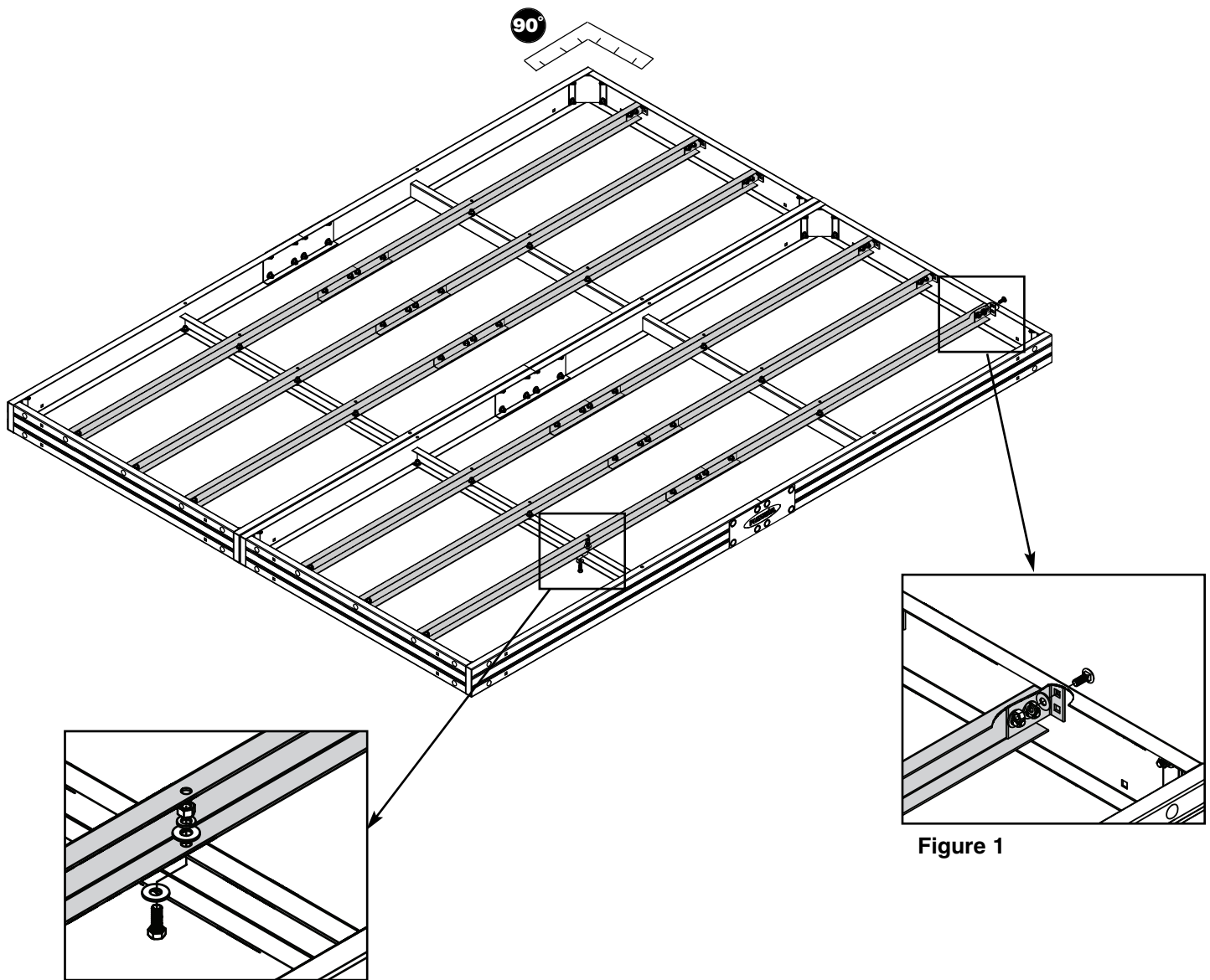


Figure 2

Figure 1

Make sure the assembly remains square by measuring both diagonals corner to corner. Once the dock is square, tighten **all bolts** from previous steps.

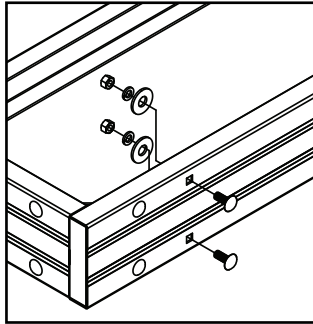
Helpful Hint:

The carriage bolts are designed to fit tightly into the square holes. Properly align them when tightening.

Items for STEP 10:

- (16) 3/8" x 1" carriage bolts
- (16) 1/2" flat washers
- (16) 3/8" lock washers
- (16) 3/8" nuts

Note: There are additional exposed holes in the Aluminum Dock Frame to bolt on accessories. If additional accessories are not used, you can install 3/8" x 1" carriage bolts, 1/2" flat washers, 3/8" lock washers and 3/8" nuts as shown and tighten securely. This may require the purchase of (8) 1/2" Flat Washers.



Helpful Hint: After assembly, the Aluminum Frame can be easily cleaned with a mild solution of soap and water or Non-Abrasive aluminum cleaner.



If you purchased a Resin Dock Top (PS 1320), it must be installed now. Follow the instructions on Page 26. Then continue with these instructions. If you are not installing a Resin Dock Top, proceed with these instructions.

Floating Dock, go to Page 11.

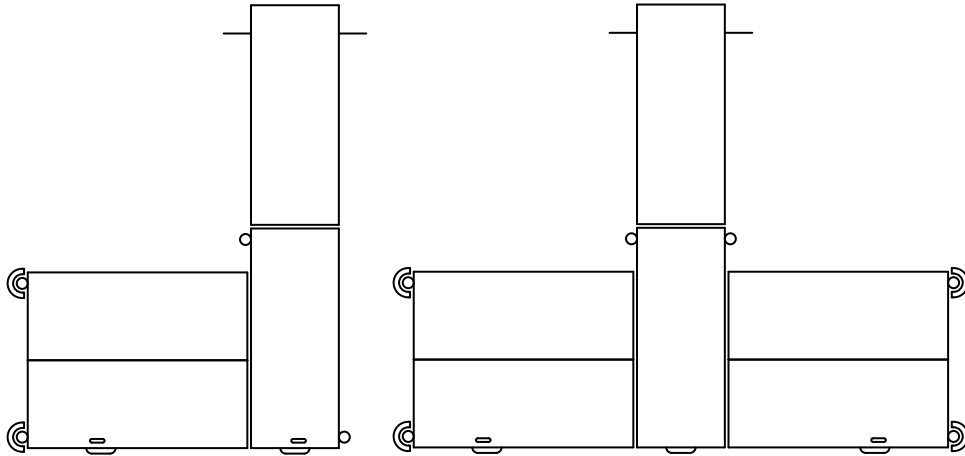
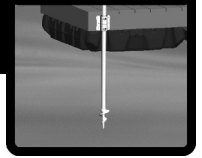
Swim Raft, go to Page 15.

Stationary Dock, go to Page 18.

Roll-In Dock, go to Page 20.

DOCK LAYOUT FLOATING

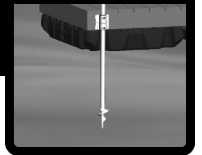
Floating



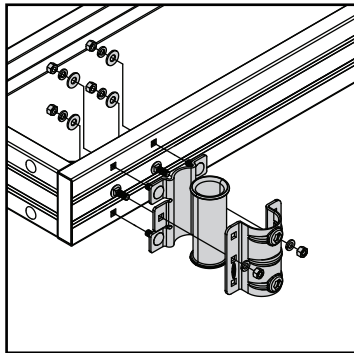
- Dock Pipe
- ⊕ Pipe Sleeve Bumper
- | Cleat
- ⊔ Multi-Purpose Bumper

PIPE SLEEVES & AUGERS

Floating

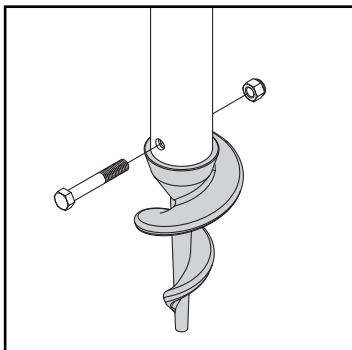


COMMERCIAL GRADE PIPE SLEEVE PS 1080



Position pipe sleeve on frame as shown. Secure with $\frac{3}{8}$ " x 1" carriage bolts, $\frac{3}{8}$ " flat washers, $\frac{3}{8}$ " lock washers and $\frac{3}{8}$ " nuts. Some hardware may be previously installed.

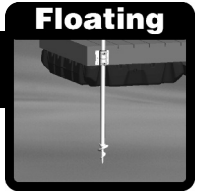
COMMERCIAL GRADE AUGER PS 1100 (Floating Only)



Drill one $\frac{3}{8}$ " hole in pipe $1\frac{1}{16}$ " up from the end. Insert Auger into the pipe, align holes and finish drilling opposite side. Secure with the nut and bolt provided.

Refer to your specific project for locations.

ATTACHING HINGES

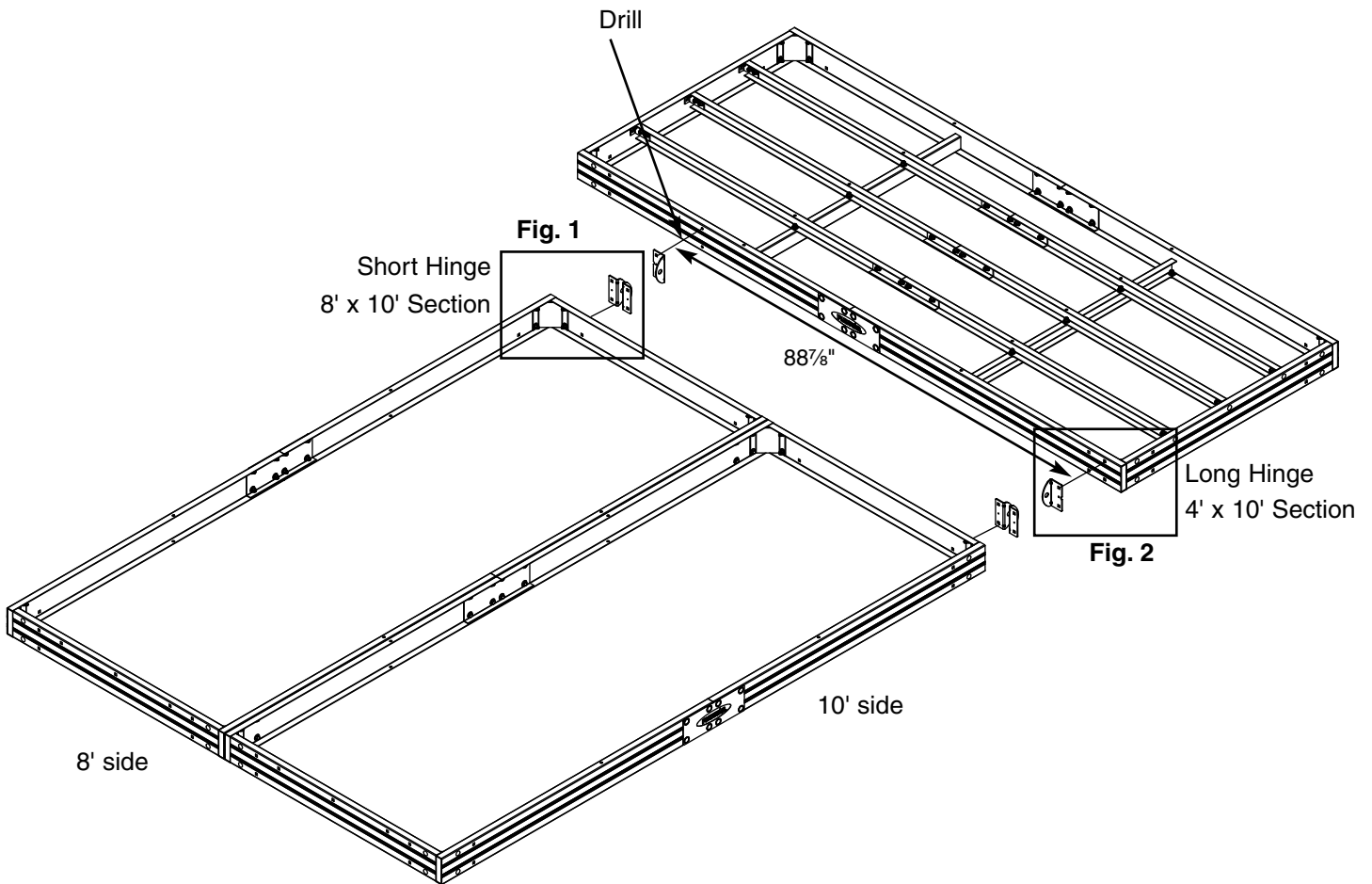


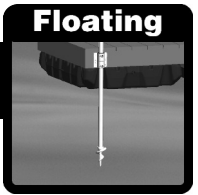
Position short hinges (no notch) on the corners of the 8' x 10' section. (Fig. 1)

Position a long hinge (with notch) on one corner of the 4' x 10' section. (Fig. 2) This will minimize the number of holes you will have to drill.

Position second long hinge (with notch) on the 4' x 10' section so that the center distance between the outside mounting holes is $88\frac{7}{8}$ " as shown.

Use the long hinge (with notch) as a drill guide and mark the two hole locations. Drill $\frac{1}{8}$ " holes through the side of the aluminum frame at the marked locations. Use the $\frac{1}{8}$ " holes as a drill guide and drill $\frac{3}{8}$ " holes.



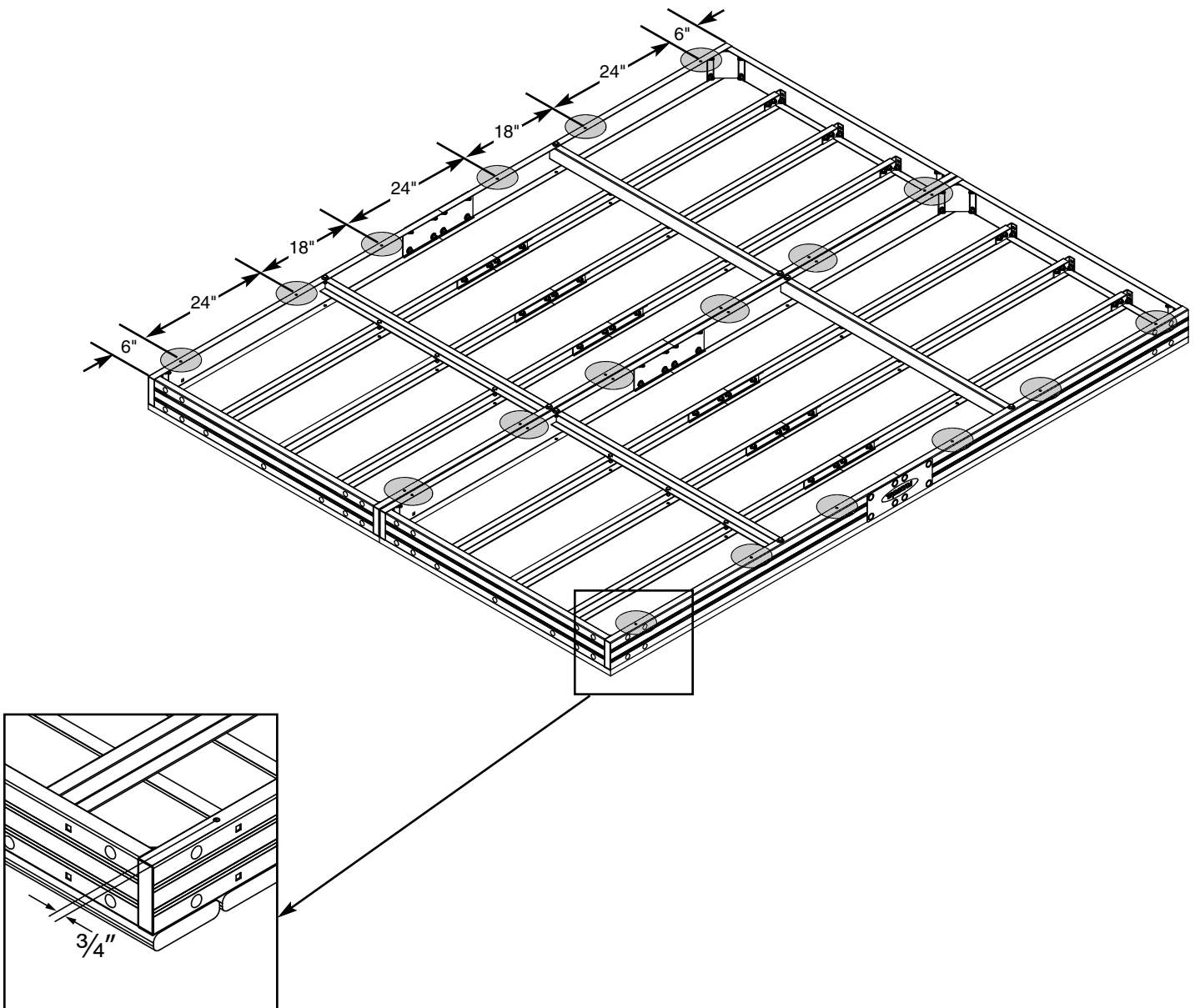


ATTACHING FLOATS

Turn the dock over onto a flat surface and mark the 24 float hole locations at dimensions shown.

Drill $\frac{1}{8}$ " holes through the bottom lip of the aluminum frame at the marked locations.

Use the $\frac{1}{8}$ " holes as a drill guide and drill $\frac{3}{8}$ " holes.

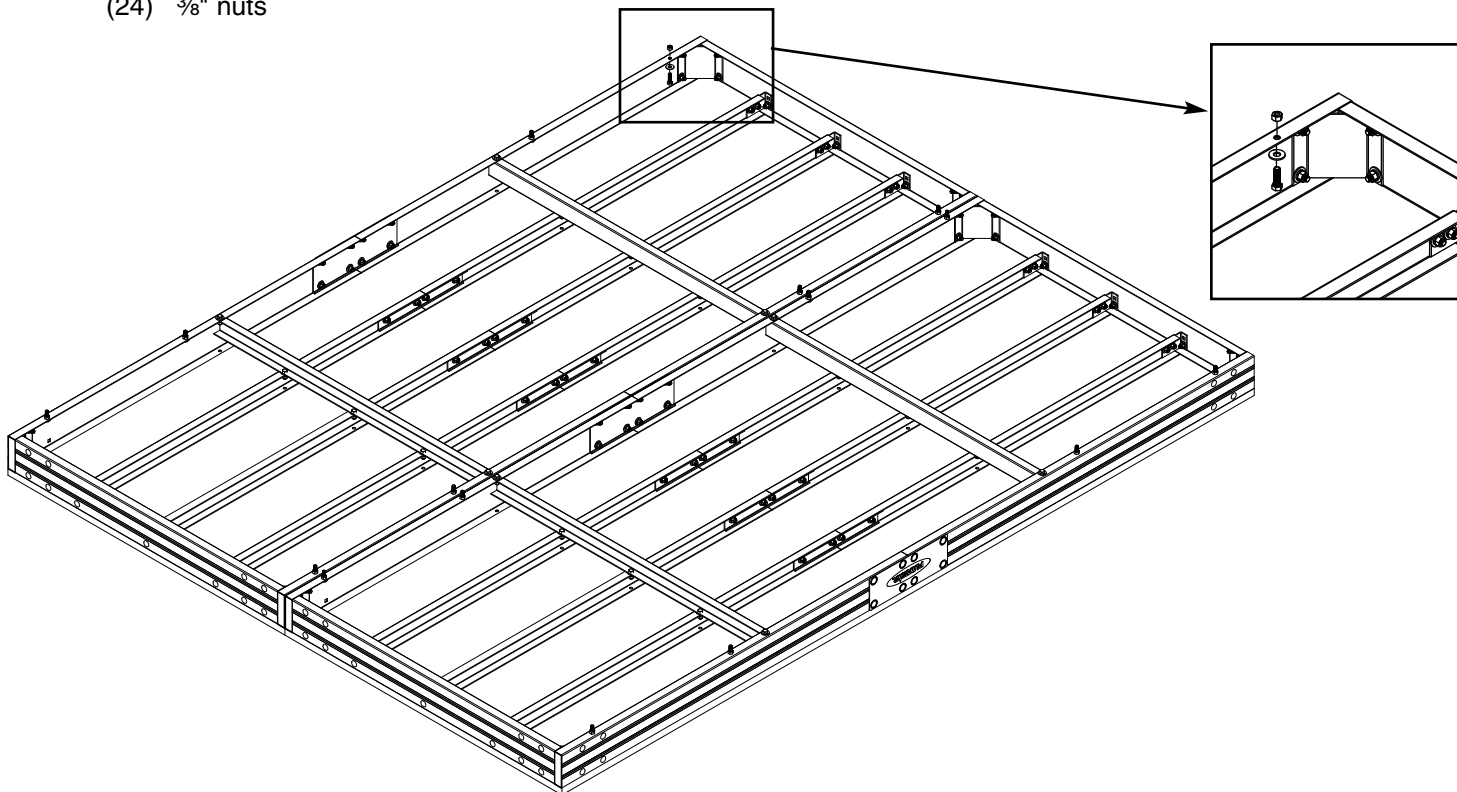


Items for this STEP:

- (24) $\frac{3}{8}$ " x $1\frac{1}{4}$ " hex bolts
- (24) $\frac{3}{8}$ " flat washers
- (24) $\frac{3}{8}$ " nuts

Install $\frac{3}{8}$ " x $1\frac{1}{4}$ " hex bolts, $\frac{3}{8}$ " flat washers and $\frac{3}{8}$ " nuts at the 24 holes drilled in previous step.

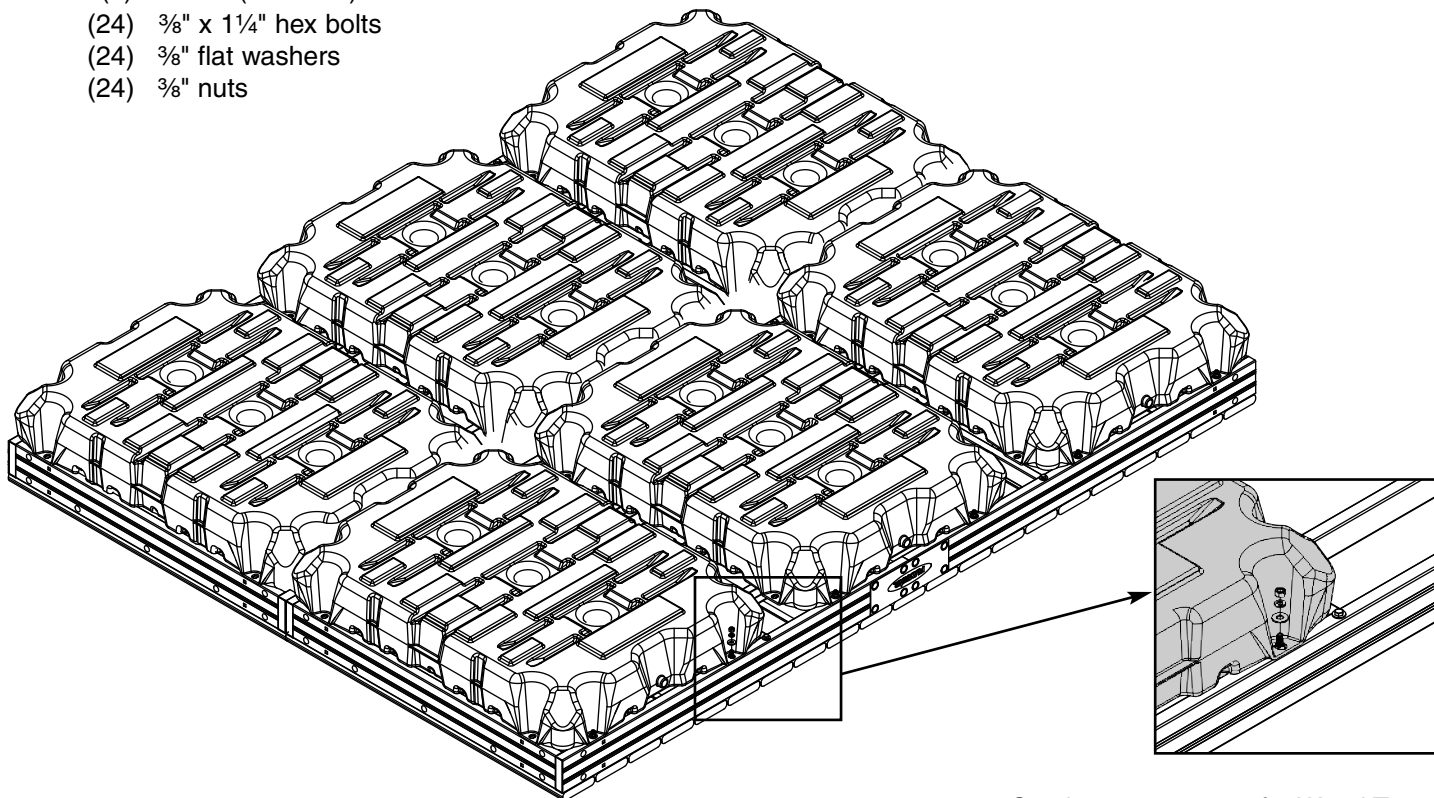
Note: *Tighten securely as these nuts will not be accessible in later steps.*



Items for this STEP:

- (6) Floats (PS 1155)
- (24) $\frac{3}{8}$ " x $1\frac{1}{4}$ " hex bolts
- (24) $\frac{3}{8}$ " flat washers
- (24) $\frac{3}{8}$ " nuts

Position floats as shown. Float holes will fit over bolts installed in previous step. Secure with $\frac{3}{8}$ " flat washers, $\frac{3}{8}$ " lock washers and $\frac{3}{8}$ " nuts as shown.



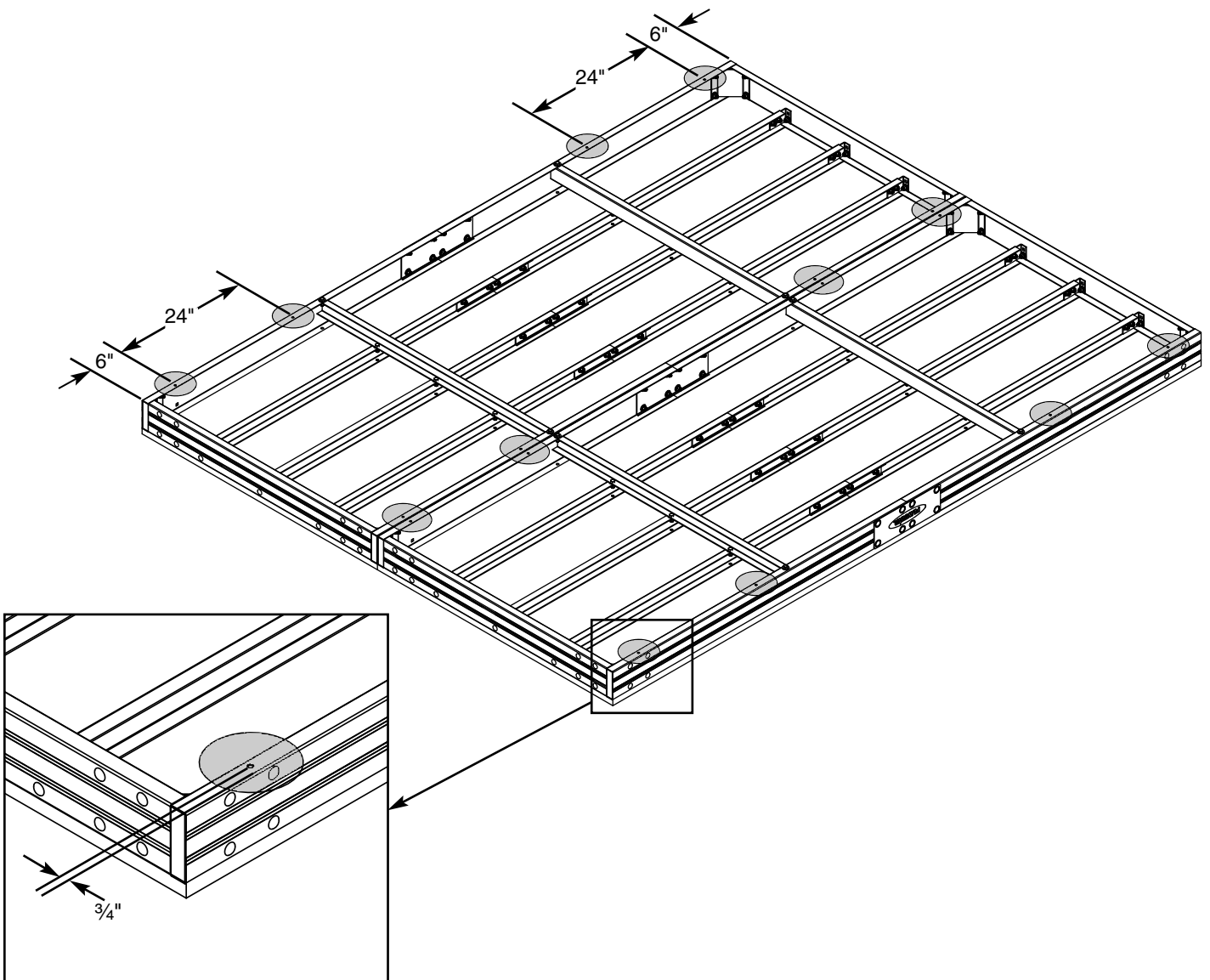
Continue to page 24 for Wood Top.

SWIM RAFT

Turn the dock over onto a flat surface and mark the 16 float hole locations at dimensions as shown.

Drill $\frac{1}{8}$ " holes through the bottom lip of the aluminum frame at the marked locations.

Use the $\frac{1}{8}$ " holes as a drill guide and drill $\frac{3}{8}$ " holes.

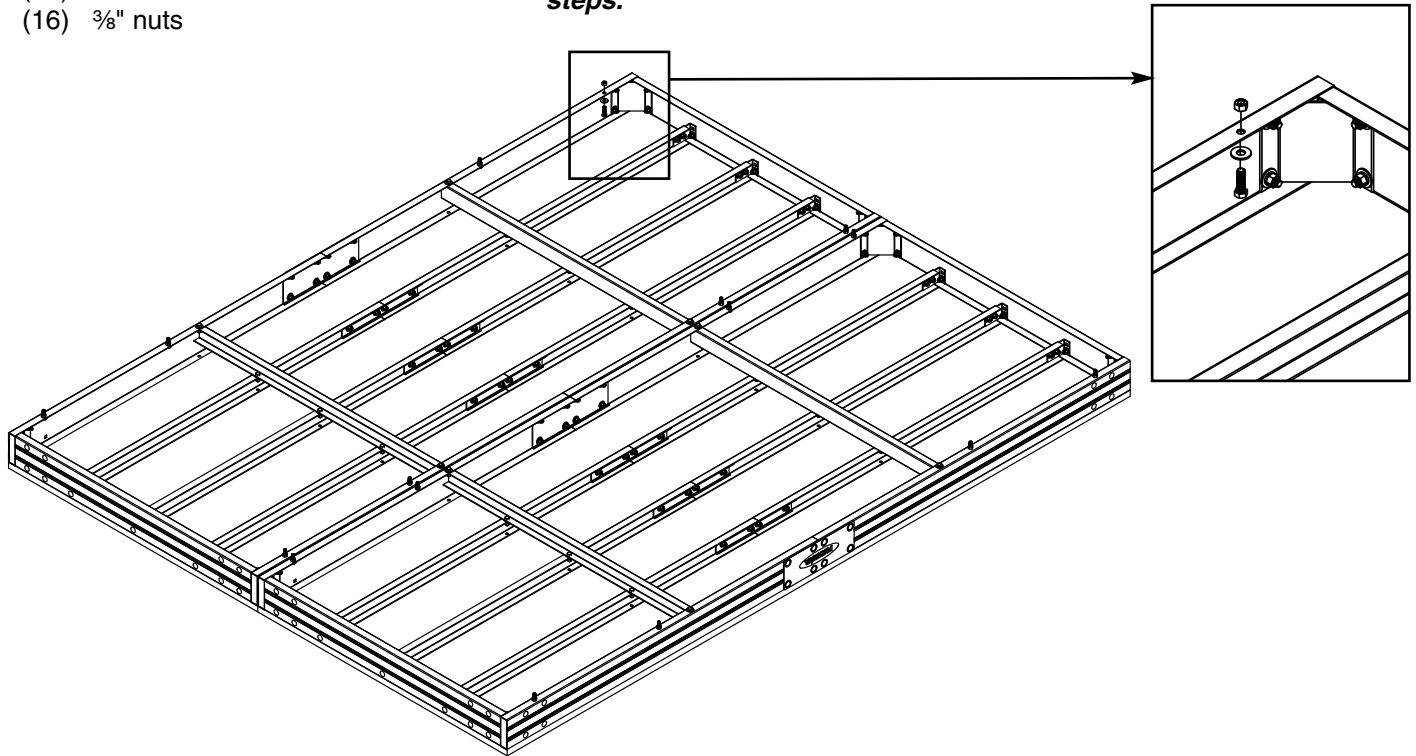


Items for this STEP:

- (16) $\frac{3}{8}$ " x $1\frac{1}{4}$ " hex bolts
- (16) $\frac{3}{8}$ " flat washers
- (16) $\frac{3}{8}$ " nuts

Install $\frac{3}{8}$ " x $1\frac{1}{4}$ " hex bolts, $\frac{3}{8}$ " flat washers and $\frac{3}{8}$ " nuts at the sixteen holes drilled in Step 14.

Note: *Tighten securely as these nuts will not be accessible in later steps.*

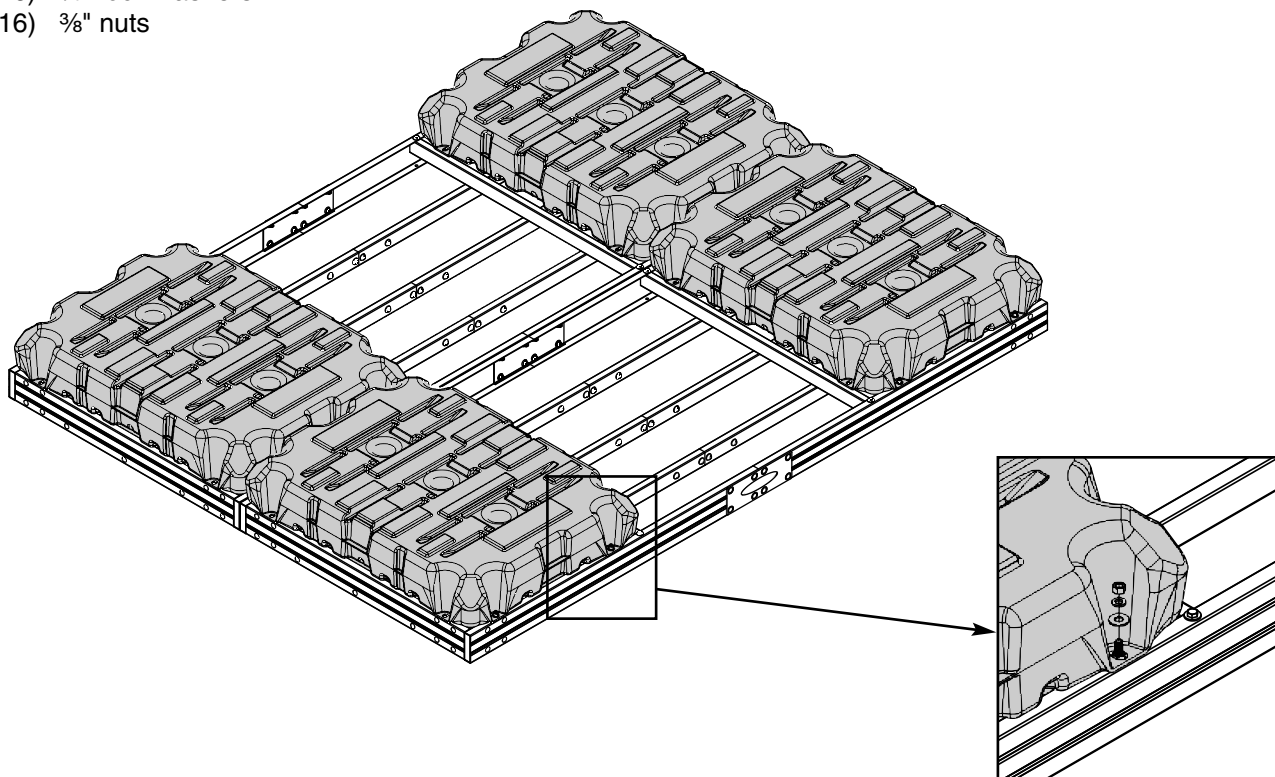


Items for this STEP:

- (4) Floats (PS 1155)
- (16) $\frac{3}{8}$ " flat washers
- (16) $\frac{3}{8}$ " lock washers
- (16) $\frac{3}{8}$ " nuts

Position floats as shown. Float holes will fit over bolts installed in previous step.

Secure with $\frac{3}{8}$ " flat washers, $\frac{3}{8}$ " lock washers and $\frac{3}{8}$ " lock nuts as shown.



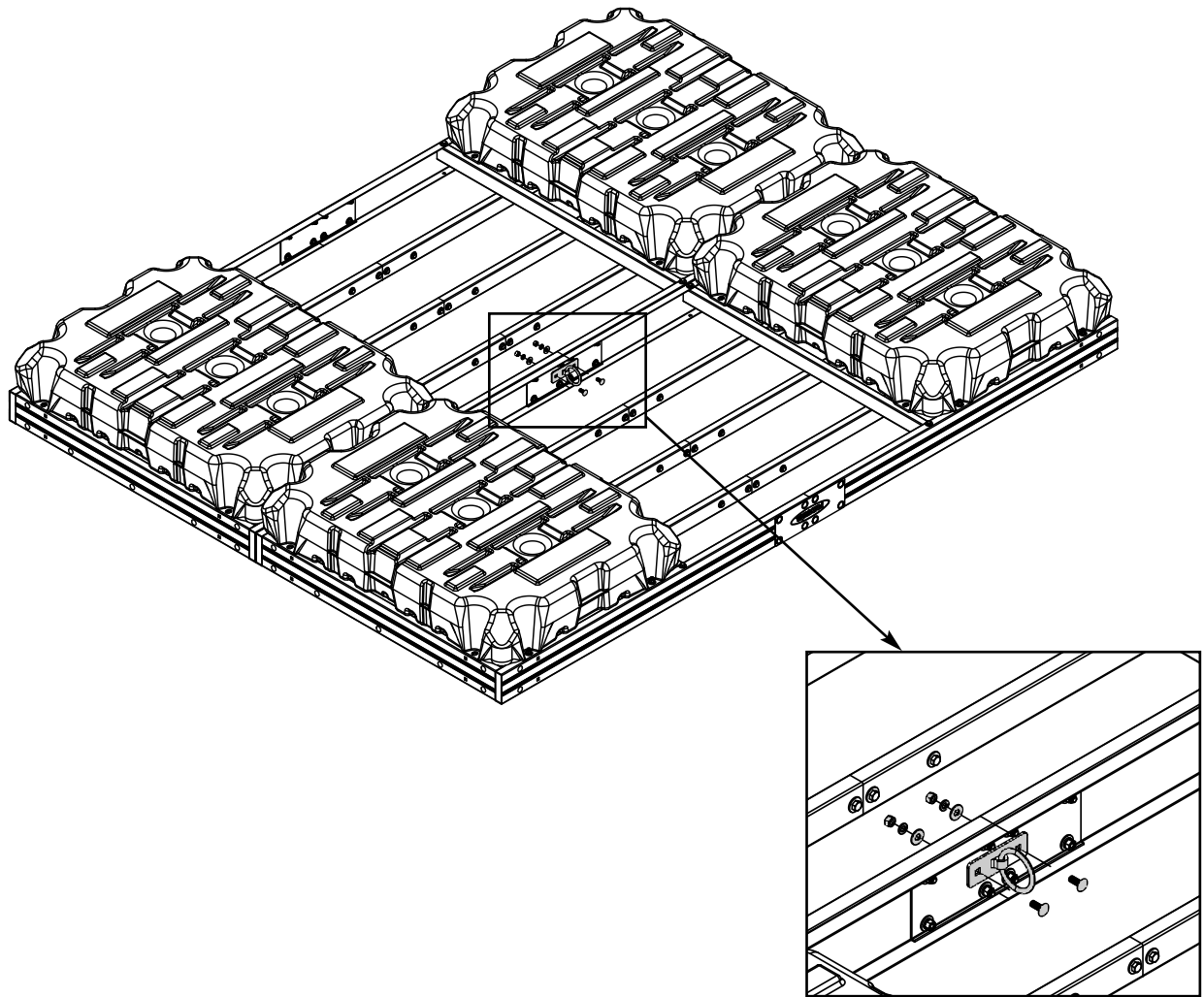
Items for this STEP:

- (1) Mooring Ring
- (2) 3/8" x 1" Carriage Bolts
- (2) 3/8" flat washers
- (2) 3/8" lock washers
- (2) 3/8" nuts

Center the Mooring Ring as shown.

Use the Mooring Ring as a drill guide and mark the hole locations. Drill 1/8" holes through the marked locations. Use the 1/8" holes as a drill guide and drill 3/8" holes.

Secure with 3/8" x 1" carriage bolts, 3/8" flat washers, 3/8" lock washers and 3/8" nuts.



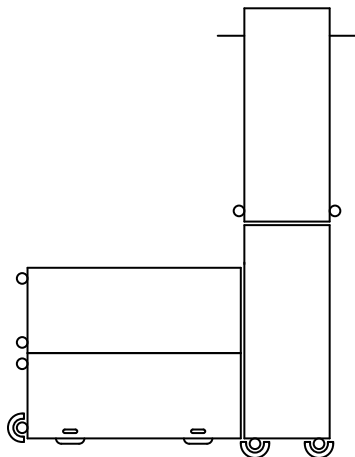
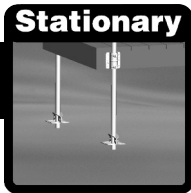
To anchor your Swim Raft, attach chain or rope (not included) to the Mooring Ring and anchor with a boat anchor, bricks, milk jugs filled with cement, or other heavy objects.

Note: Length of chain or rope will be determined by the depth of your water. Because every body of water is different, you are responsible for anchoring your Swim Float adequately for your application. Strong winds, current, excessive wake and wave action should be taken into consideration.

Attach Dock Ladder (Step 6 of the Adjustable Dock Ladder (PS 1605) Assembly Instructions).

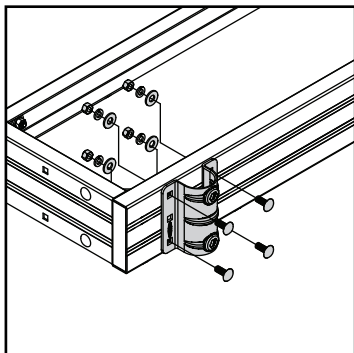
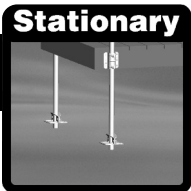
Continue to page 24 for Wood Top.

DOCK LAYOUT STATIONARY



- Dock Pipe
- ◐ Pipe Sleeve Bumper
- ┆ Cleat
- ◓ Multi-Purpose Bumper

PIPE SLEEVES & FOOT PLATES

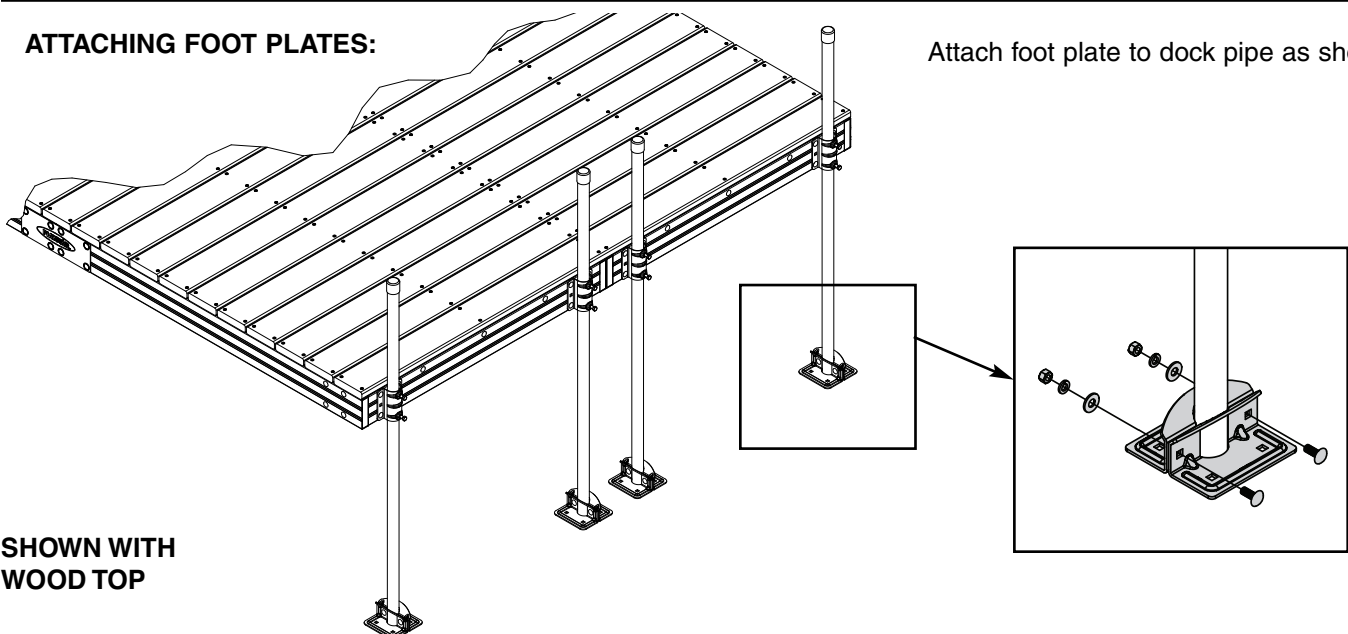


ATTACHING PIPE SLEEVES:

Position pipe sleeve on frame as shown. Secure with $\frac{3}{8}$ " x 1" carriage bolts, $\frac{3}{8}$ " flat washers, $\frac{3}{8}$ " lock washers and $\frac{3}{8}$ " nuts. Some hardware may be previously installed.

ATTACHING FOOT PLATES:

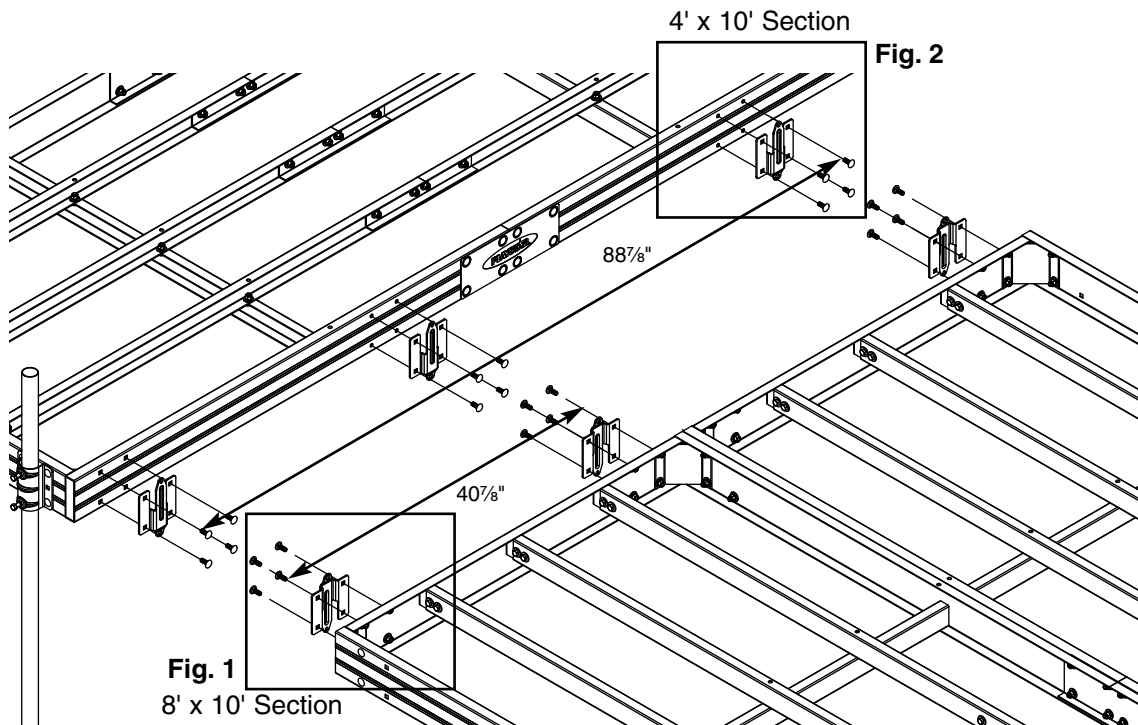
Attach foot plate to dock pipe as shown.



SHOWN WITH
WOOD TOP

Note: Dock pipe longer than 8 feet may require additional cross bracing.

ATTACHING CLIPS (STATIONARY)



On the 8' x 10' Dock Section:

Position clips with the center tab pointing down on the corners of the 8' x 10' section. (Fig. 1)

Position a clip with center tab pointing down in square hole pattern so that the center distances between the outside mounting holes are $40\frac{7}{8}"$ as shown.

On the 4' x 10' Dock Section:

Position a clip with center tab pointing up on one corner of the 4' x 10' section. This will minimize the number of holes you will have to drill.

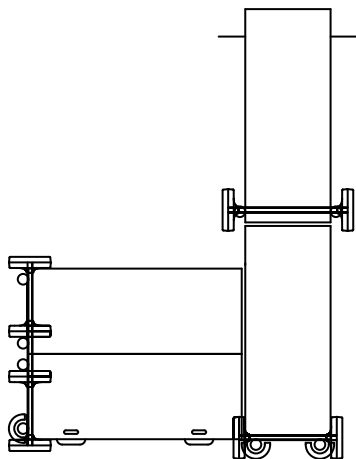
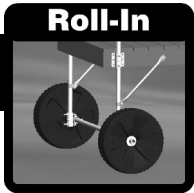
Position second clip with center tab pointing up on the 4' x 10' section so that the center distance between the outside mounting holes is $88\frac{7}{8}"$ as shown. (Fig. 2)






Position final clip with center tab pointing up so that the center distances between the outside mounting holes are $40\frac{7}{8}"$.

Use the clip as a drill guide and mark the four hole locations. Drill $\frac{1}{8}"$ holes through the side of the aluminum frame at the marked locations. Use the $\frac{1}{8}"$ holes as a drill guide and drill $\frac{3}{8}"$ holes.

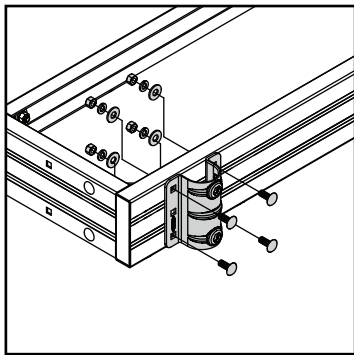
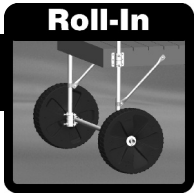
Continue to page 24 for Wood Top.

DOCK LAYOUT ROLL-IN



-  Dock Wheel
-  Dock Pipe
-  Pipe Sleeve Bumper
-  Cleat
-  Multi-Purpose Bumper

PIPE SLEEVES & WHEELS



ATTACHING PIPE SLEEVES:

Position pipe sleeve on frame as shown. Secure with $\frac{3}{8}$ " x 1" carriage bolts, $\frac{3}{8}$ " flat washers, $\frac{3}{8}$ " lock washers and $\frac{3}{8}$ " nuts. Some hardware may be previously installed.



Follow the Step 1 instructions that are supplied with your Dock Axle Kit. Then continue with these instructions.

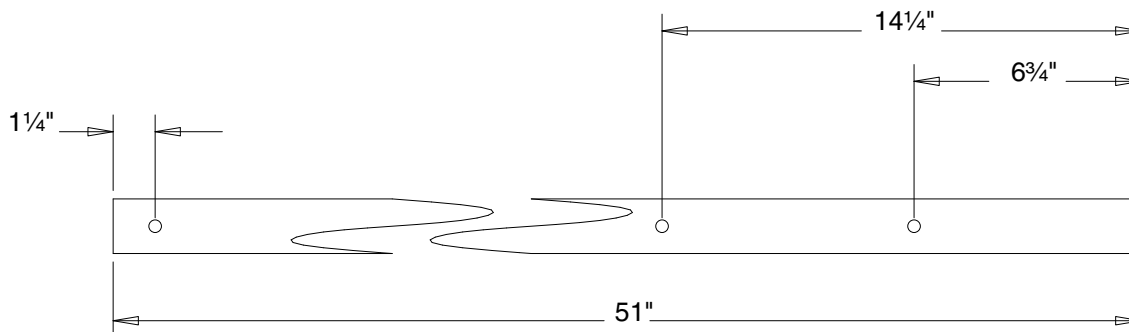
Items for this STEP:

(2) dock pipes

ATTACHING DOCK WHEELS:

Cut dock pipe and drill $\frac{3}{8}$ " holes as per dimensions shown.

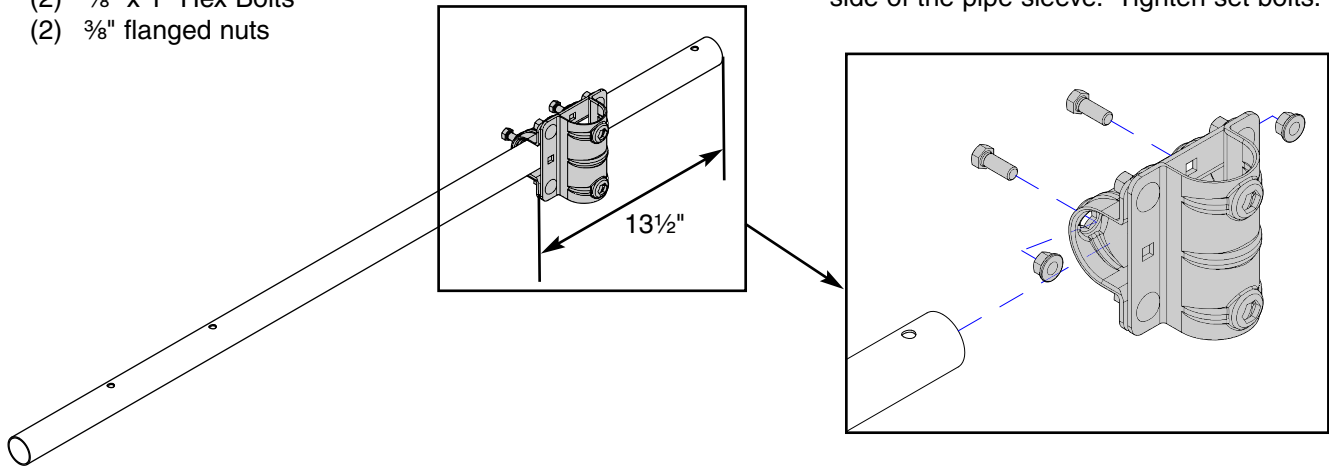
Repeat for second pipe.



Items for this **STEP:**

- (1) Joint Assembly from Step 1 of Dock Axle Kit
- (2) $\frac{3}{8}$ " x 1" Hex Bolts
- (2) $\frac{3}{8}$ " flanged nuts

Insert the joint assembly into the pipe as shown. Make sure the pipe is flush with the side of the pipe sleeve. Tighten set bolts.

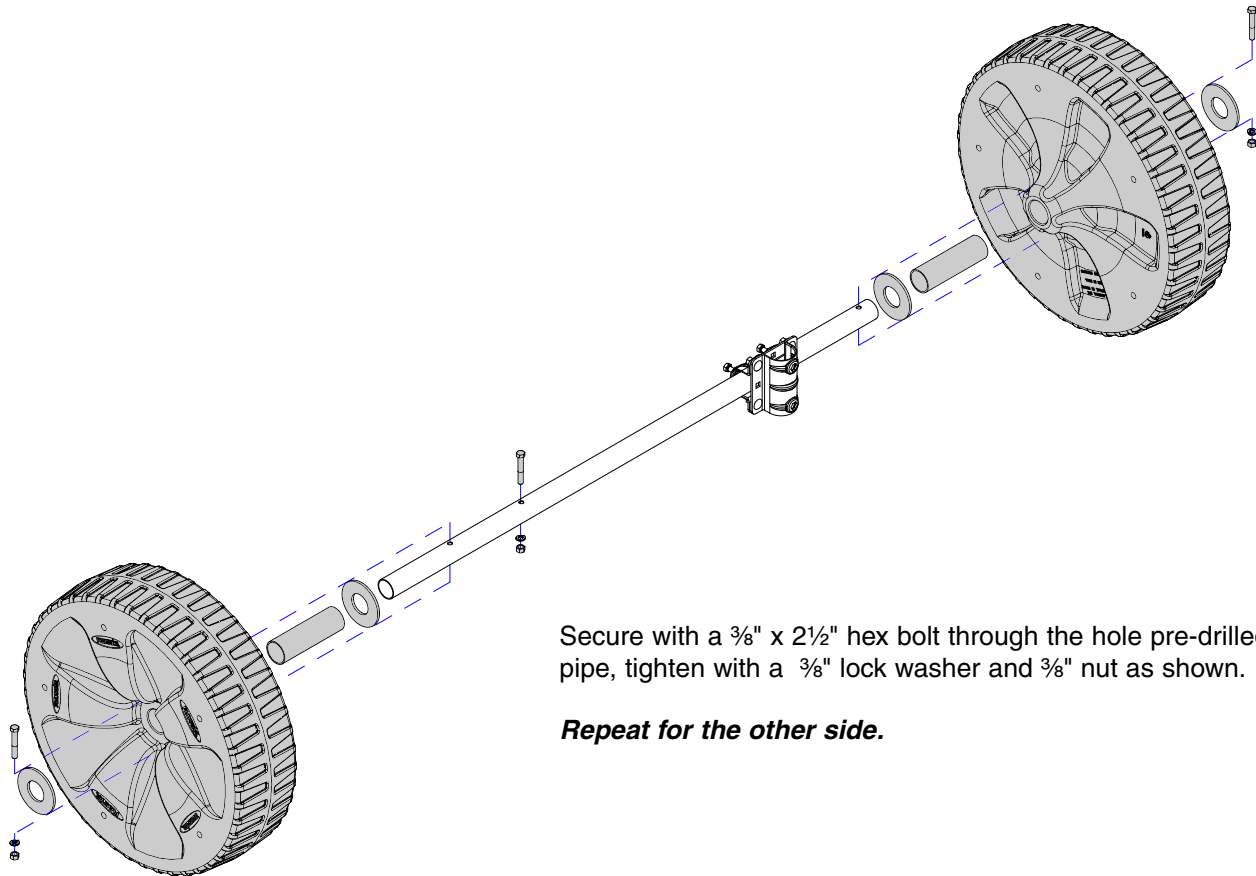


Items for this **STEP:**

- (2) Dock Wheels (PS 1334)
- (2) Wheel Hubs
- (4) $1\frac{5}{8}$ " flat washers
- (3) $\frac{3}{8}$ " x $2\frac{1}{2}$ " hex bolts
- (3) $\frac{3}{8}$ " lock washers
- (3) $\frac{3}{8}$ " hex nuts

Insert a $\frac{3}{8}$ " x $2\frac{1}{2}$ " hex bolt through the hole closer to the center of the pipe as shown. Secure with a $\frac{3}{8}$ " lock washer and $\frac{3}{8}$ " hex nut.

Insert through one end of the pipe one $1\frac{5}{8}$ " flat washer, followed by a wheel hub, then a dock wheel, followed by another $1\frac{5}{8}$ " flat washer as shown.



Secure with a $\frac{3}{8}$ " x $2\frac{1}{2}$ " hex bolt through the hole pre-drilled on the pipe, tighten with a $\frac{3}{8}$ " lock washer and $\frac{3}{8}$ " nut as shown.

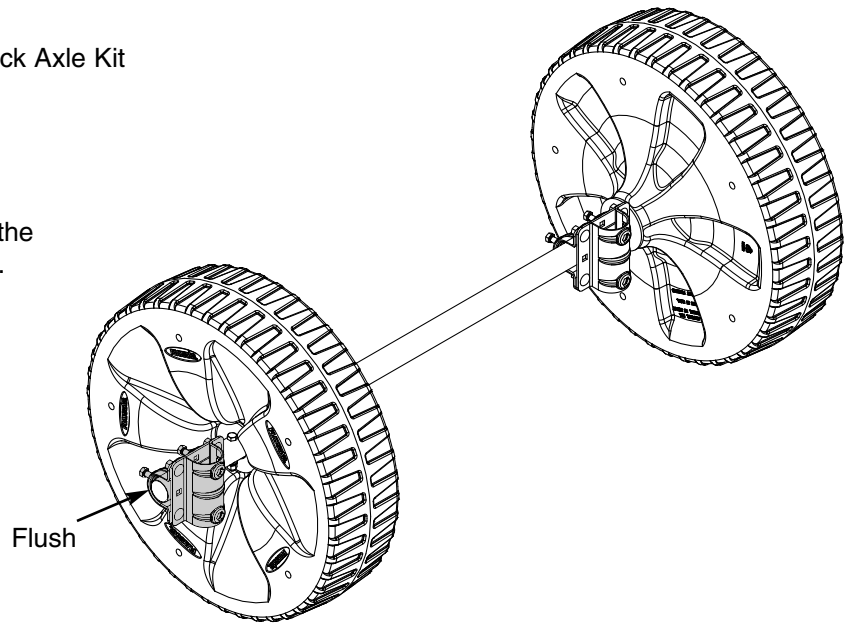
Repeat for the other side.

Items for this STEP:

- (1) Joint Assembly from Step 1 of Dock Axle Kit
- (2) 3/8" x 1" Hex Bolts
- (2) 3/8" flanged nuts

Insert the joint assembly into the pipe as shown. Make sure the pipe is flush with the side of the pipe sleeve. Tighten set bolts.

Repeat Steps 4 to 6 for second assembly, mirroring the parts.



Items for this STEP:

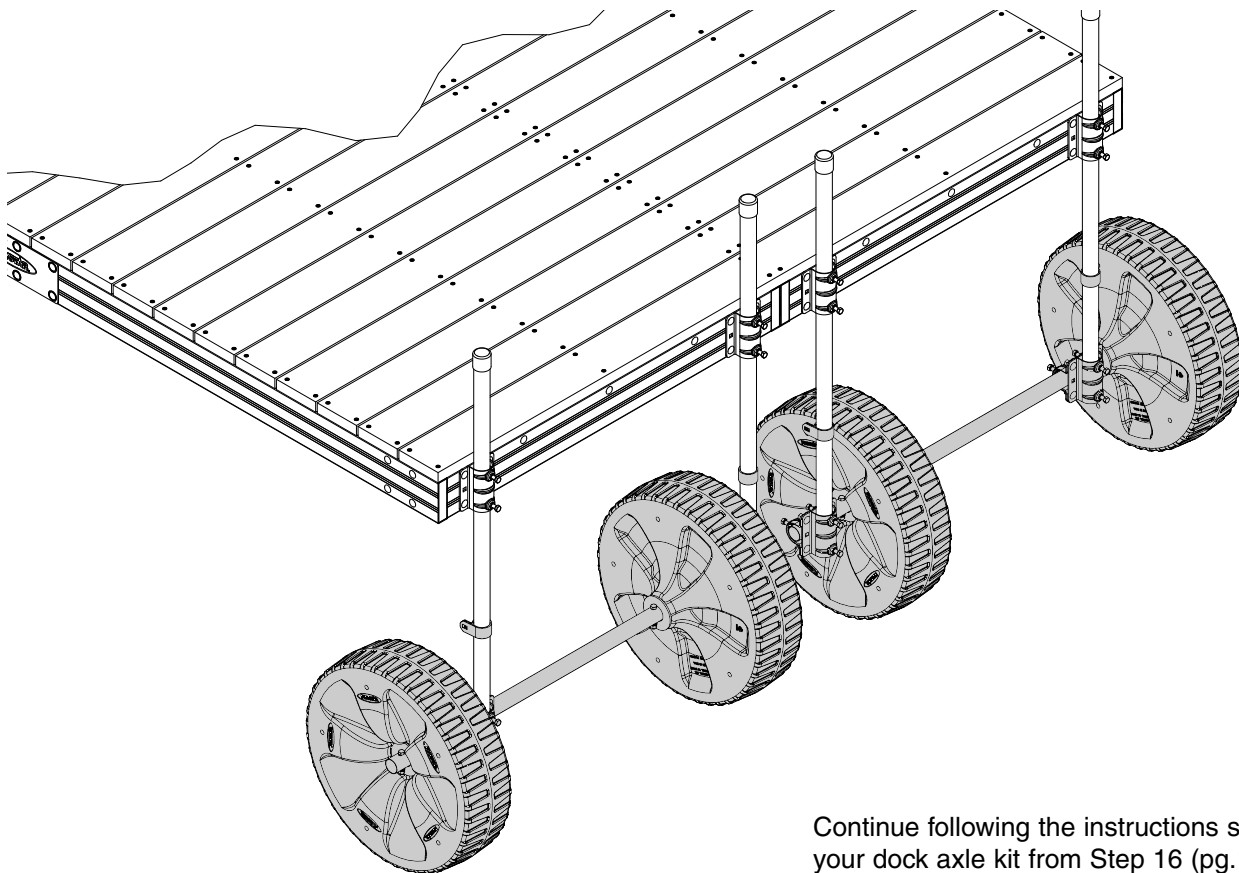
- (4) Truss Straps
- (8) 3/8" x 1" Hex Bolts
- (8) 3/8" flanged nuts

Attach dock pipes as directed in your dock instructions.

Slide truss straps into pipes as shown, noting the orientation of the tabs.

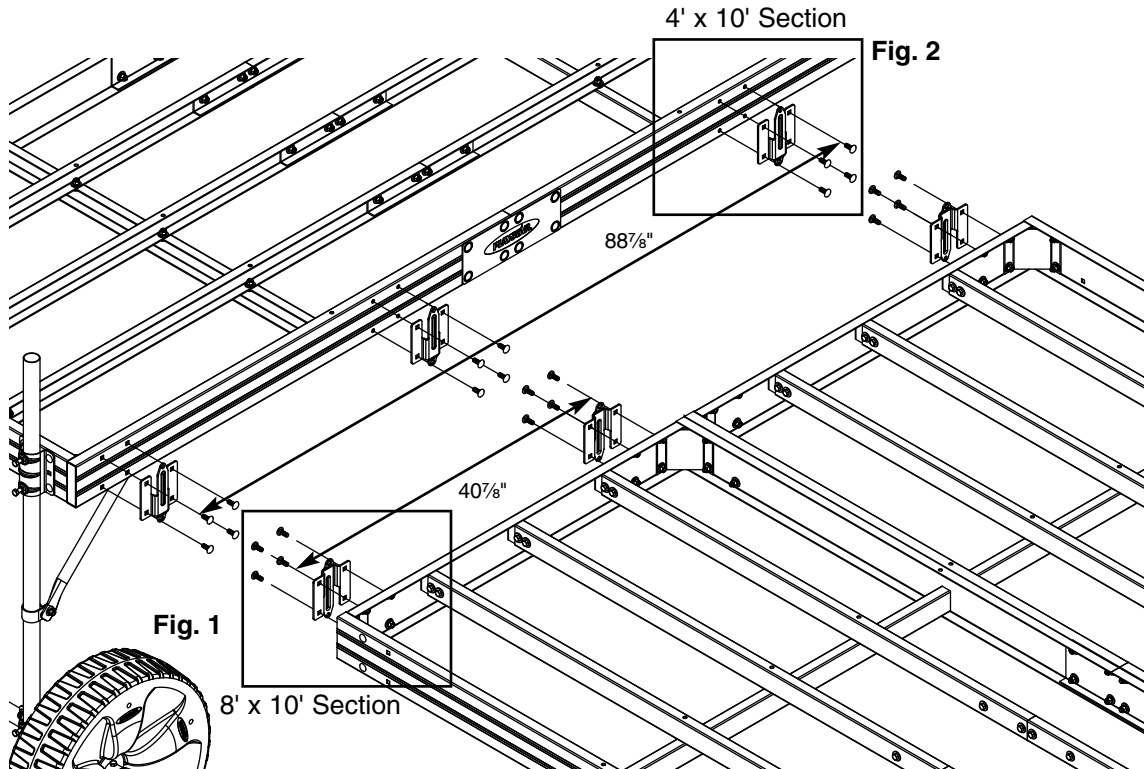
Insert the axle assembly into the dock pipes as shown. Make sure the bottom of the pipe is flush with the bottom of the joint assembly. Tighten the set bolts.

Repeat for the other pipe, making sure the assembly remains square.



Continue following the instructions supplied with your dock axle kit from Step 16 (pg.11).

ATTACHING CLIPS (ROLL-IN)



On the 8' x 10' Dock Section:

Position clips with the center tab pointing down on the corners of the 8' x 10' section. (Fig. 1)

Position a clip with center tab pointing down in square hole pattern so that the center distances between the outside mounting holes are $40\frac{7}{8}$ " as shown.

On the 4' x 10' Dock Section:

Position a clip with center tab pointing up on one corner of the 4' x 10' section. This will minimize the number of holes you will have to drill.

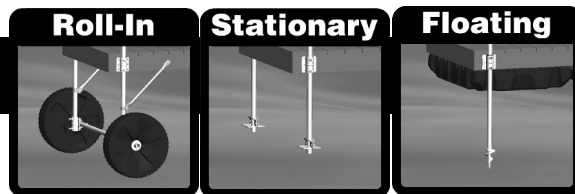
Position second clip with center tab pointing up on the 4' x 10' section so that the center distance between the outside mounting holes is $88\frac{7}{8}$ " as shown. (Fig. 2)

Position final clip with center tab pointing up so that the center distances between the outside mounting holes are $40\frac{7}{8}$ ".

Use the clip as a drill guide and mark the four hole locations. Drill $\frac{1}{8}$ " holes through the side of the aluminum frame at the marked locations. Use the $\frac{1}{8}$ " holes as a drill guide and drill $\frac{3}{8}$ " holes.

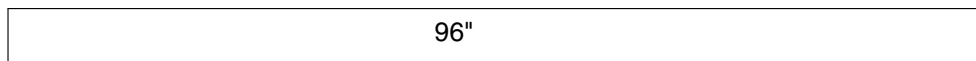
Continue to page 24 for Wood Top.

WOOD TOP ASSEMBLY



Cutting Guide (Wood Top Only) – Purchase Separately

5/4" x 6" x 8' – twenty-one (21) boards required

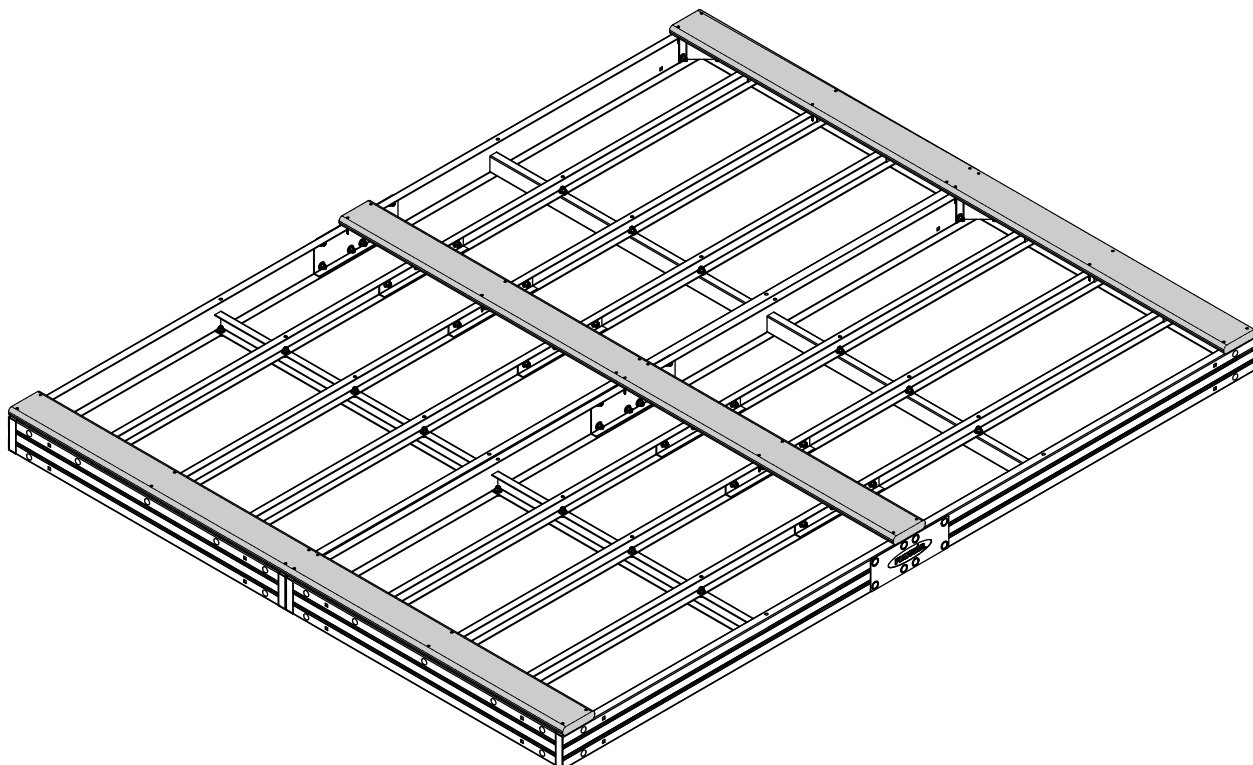


(126) – #10 x 1½" All-Purpose Screws (for Wood and Metal)

Items for this STEP:

- (3) 5/4" x 6" x 96" boards
- (36) #10 x 1½" All-Purpose Screws

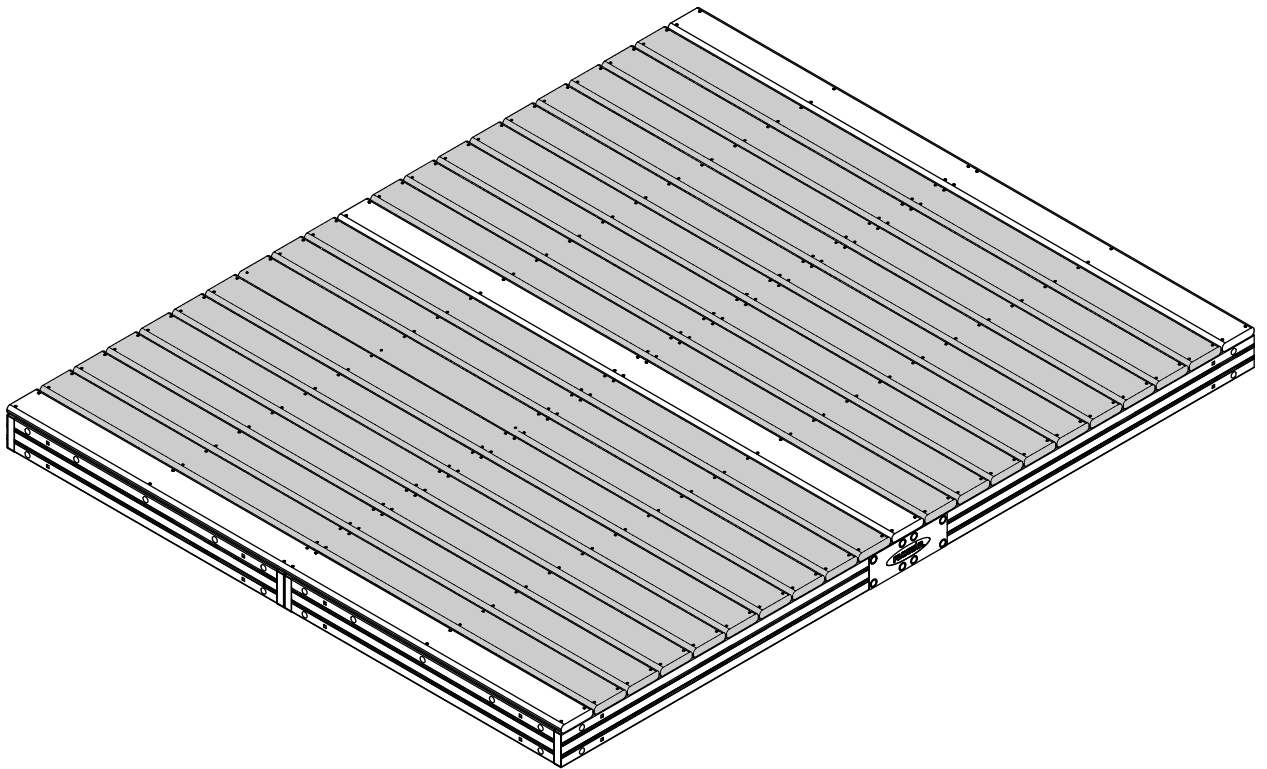
Position one board flush at each end of the frame and one directly in the middle as shown. Secure each board with twelve #10 x 1½" all-purpose screws.



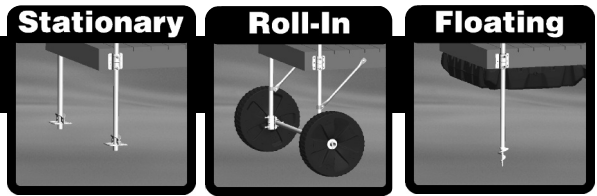
Items for this STEP:

- (18) 5/4" x 6" x 96" boards
- (216) #10 x 1 1/2" All-Purpose Screws

Position boards equally spaced between existing boards. Secure each board with twelve #10 x 1 1/2" all-purpose screws.



RESIN DOCK TOP ASSEMBLY



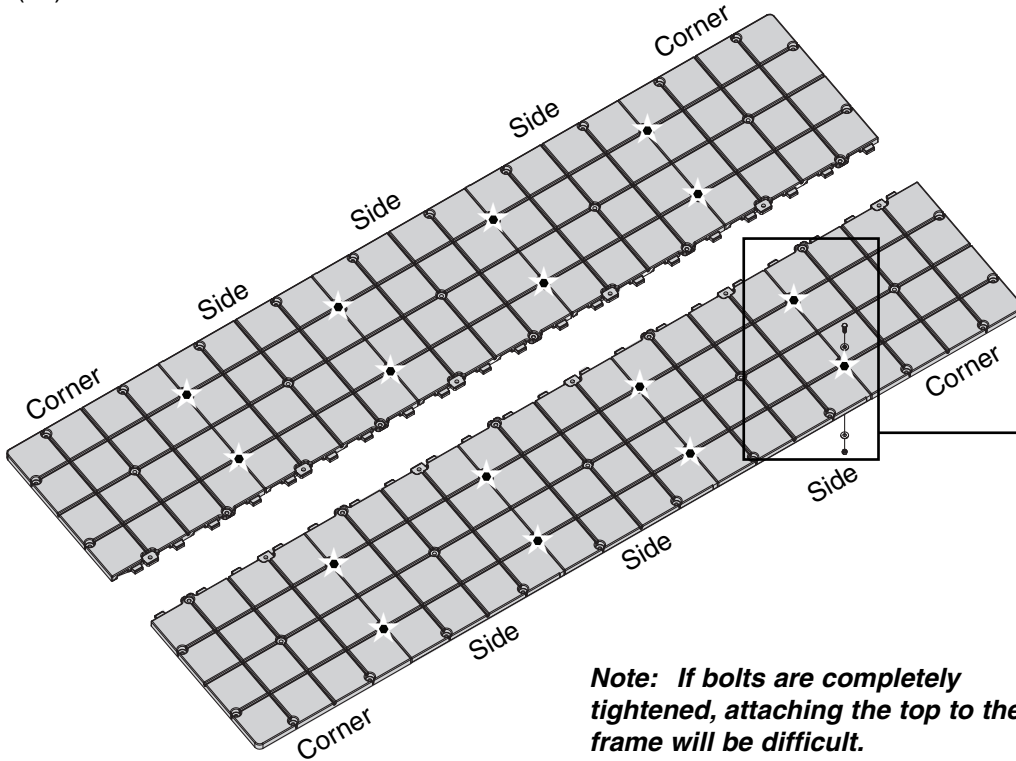
Items for this STEP:

- (8) Dock Top Corners
- (12) Dock Top Sides
- (32) 3/8" x 1 1/4" hex bolts
- (64) 3/8" flat washers
- (32) 3/8" lock nuts

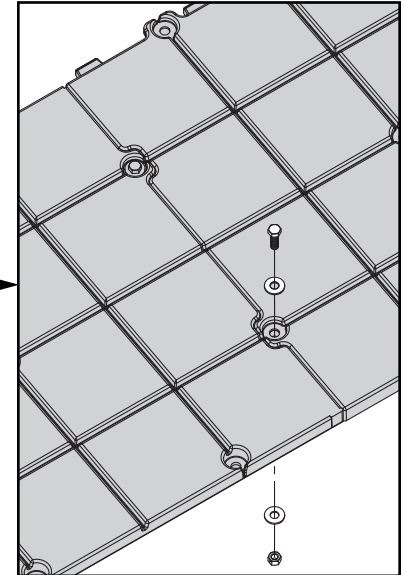
Assemble the tops as shown. Install 3/8" x 1 1/4" hex bolts, 3/8" washers and 3/8" lock nuts at each starred location.

Finger tighten only.

Repeat for 3rd & 4th Assembly.



Note: If bolts are completely tightened, attaching the top to the frame will be difficult.

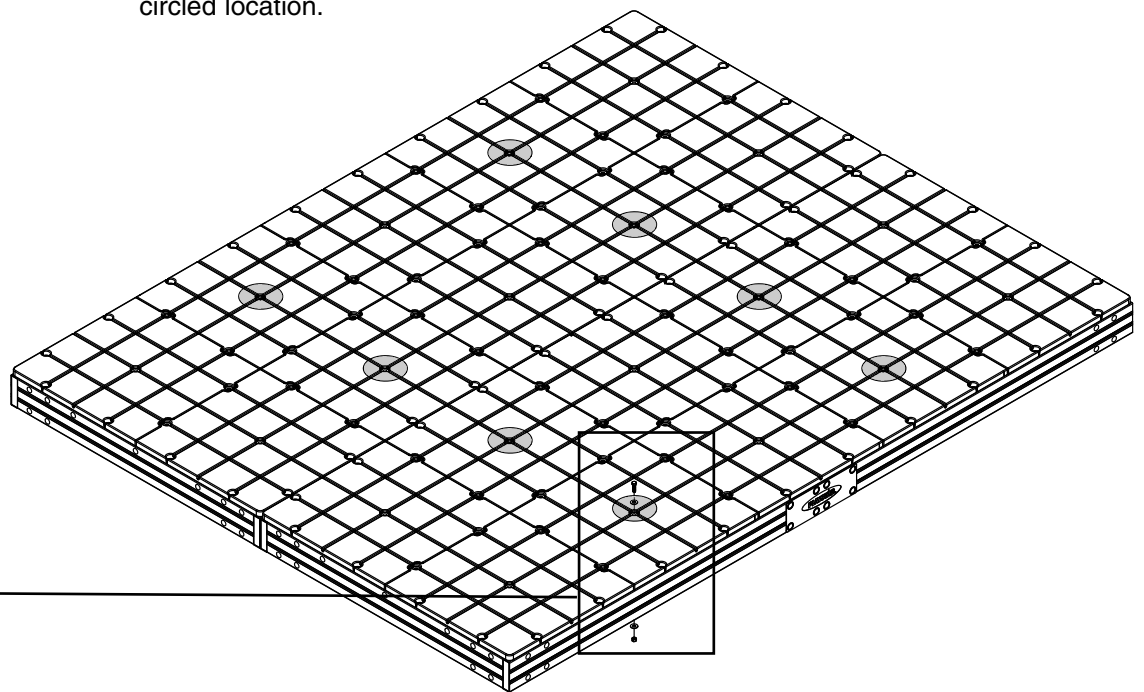
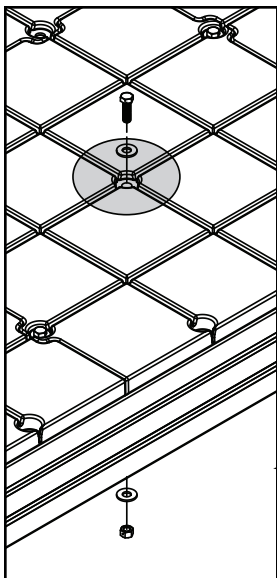


Items for this STEP:

- (8) 3/8" x 1 1/4" hex bolts
- (16) 3/8" flat washers
- (8) 3/8" lock nuts

Position the assembled dock tops together on the frame as shown.

Finger tighten 3/8" x 1 1/4" hex bolts, 3/8" flat washers and 3/8" lock nuts at each circled location.

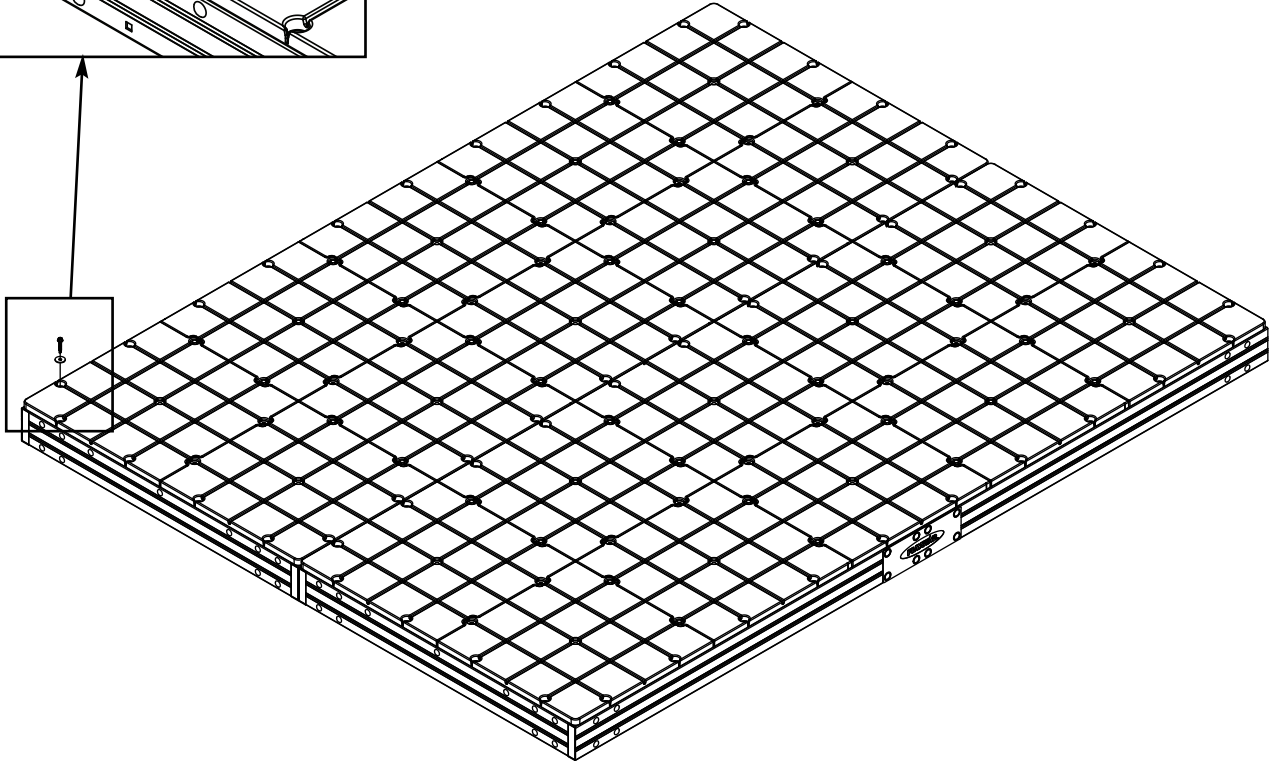
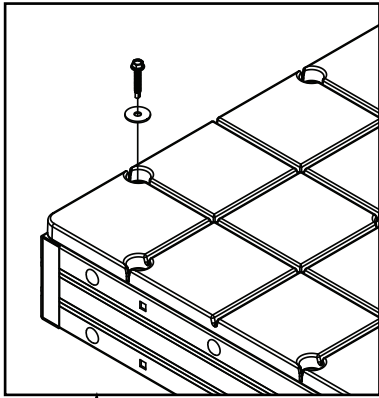


Items for this STEP:

- (88) 1/4" x 1 1/2" self-drilling hex screws
- (88) 1/4" fender washers

Beginning with the exterior holes, secure the resin dock top to the frame with 1/4" x 1 1/2" self-drilling hex screws and fender washers. **Do not over tighten.**

Once dock top is secure, tighten **all 1 1/4" hex bolts** from the previous two steps.



***If you are installing the Adjustable Dock Ladder (PS 1605),
the brackets must be installed now.
Follow the assembly instructions included with the
Adjustable Dock Ladder; skipping Step 6.***

Thank You for choosing PlayStar. Because it is our intention to make this a positive family experience, we have taken great care in preparing this product. Should you have any questions, or if we can assist you in any way, please call our friendly Customer Service Department for immediate action.

Do not return to the store.

Please call us Toll Free at 1-888-PLAYSTAR
(752-9782)

Monday through Friday, 8:00 A.M. to 5:00 P.M. C.S.T.

Ask for Customer Service.

We Will Gladly Help!



PlayStar, Incorporated, Janesville, WI 53547

© 2013, PlayStar, Inc. Reproduction of this document in part or whole is prohibited without the permission of PlayStar, Inc.

Patents Pending or Protected by one or more of the following United States or Foreign Patents: US 6,098,564; US 6,145,463; US 7,153,064; CA 2,270,012; CA 2,261,438; CA 2,498,701